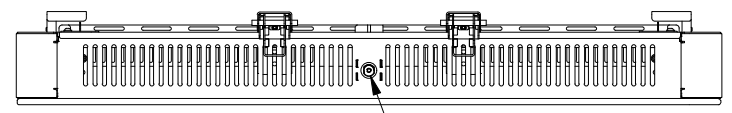
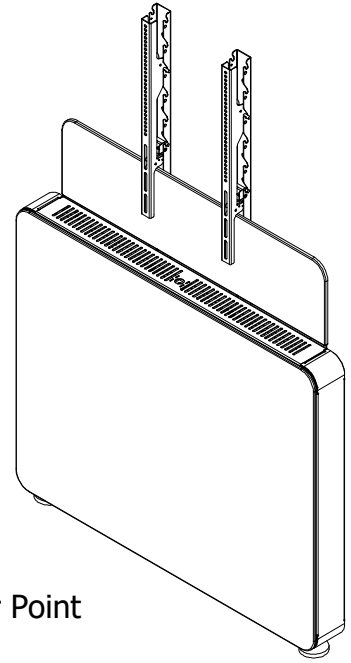
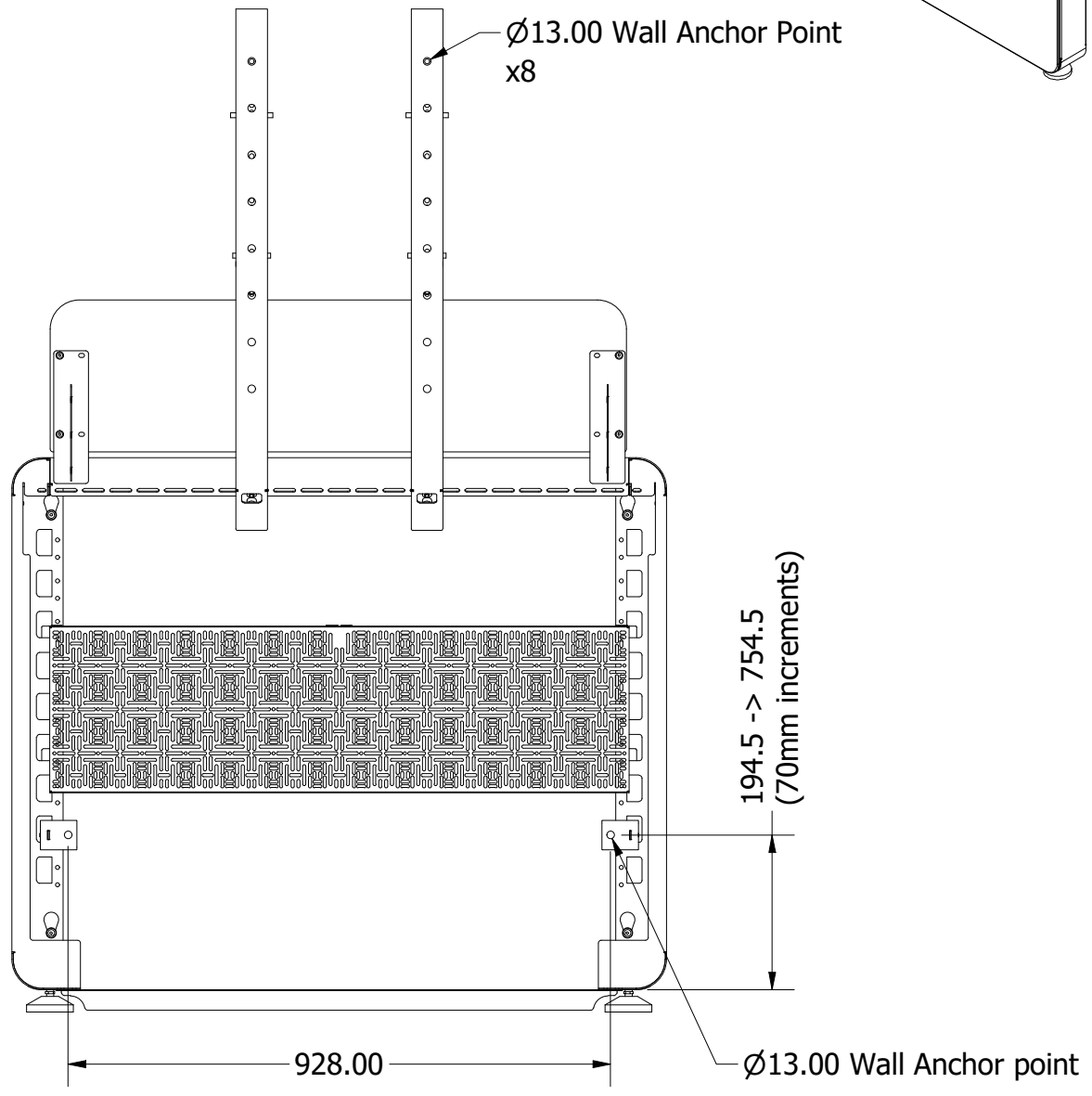
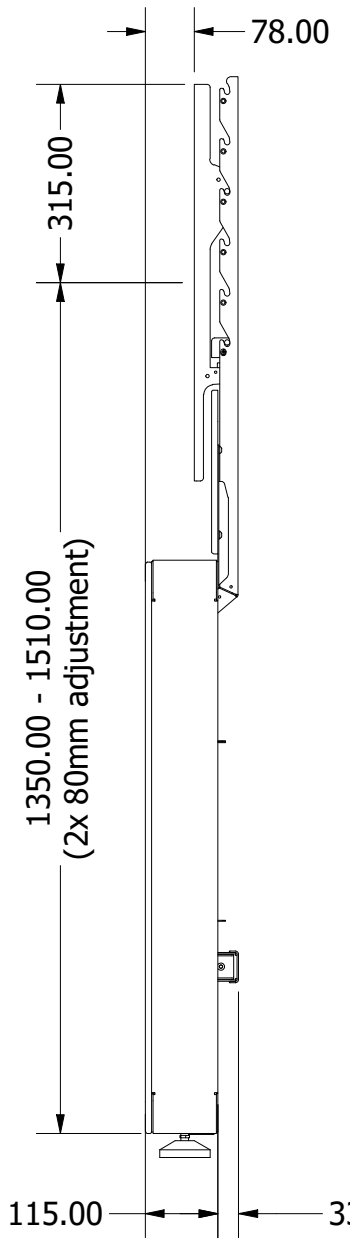
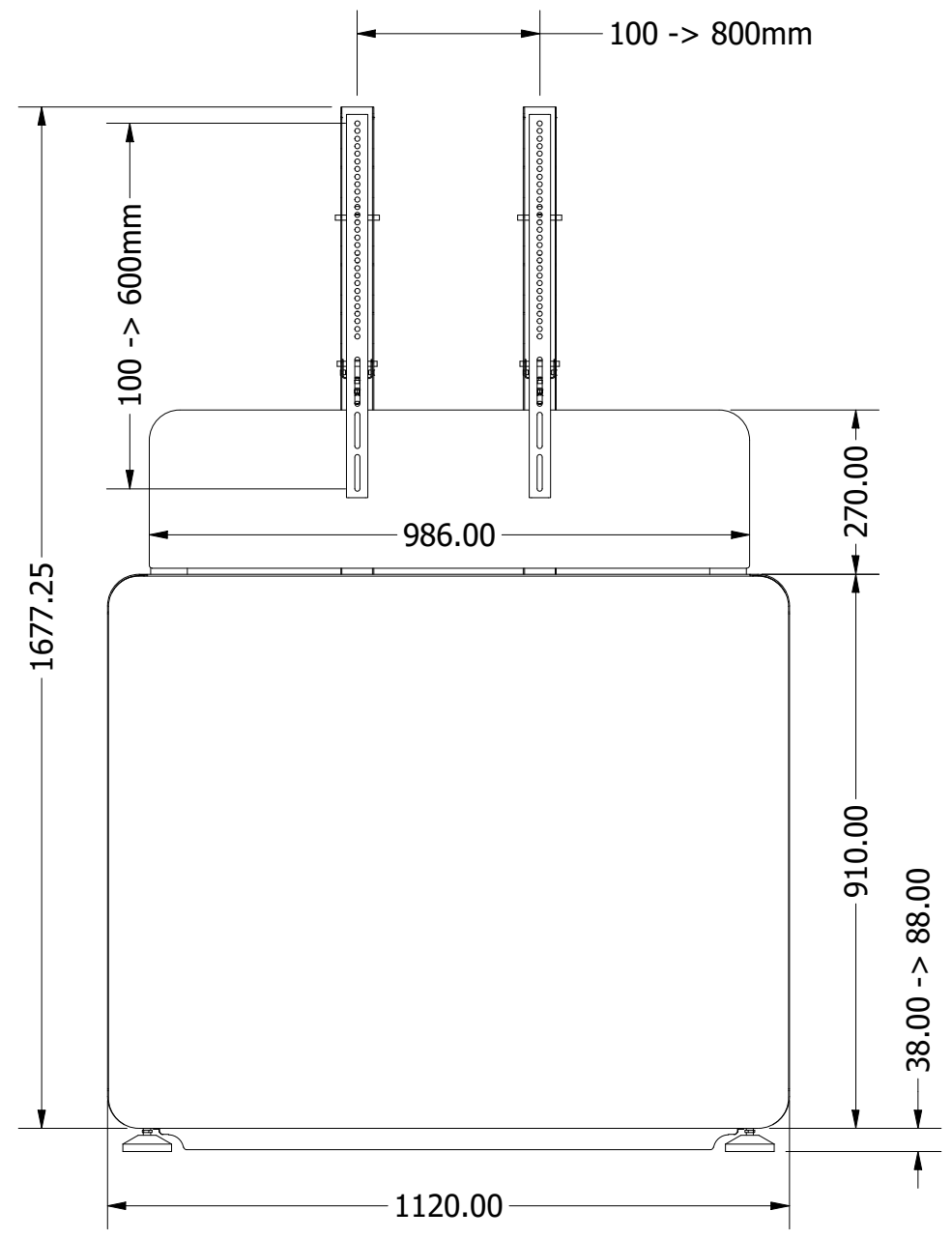


Screen Configurator		
Number of Screens	Screen Sizes	Max VESA
1	55"-75"	800x600



Panel Lock Position

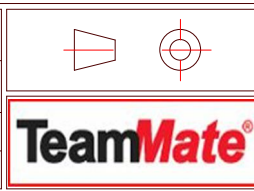


Rev	Description	Date	Name
A	Issued for manufacture	25/02/26	N.Allen

Notes:
 General Tolerance ± 0.2
 Angular Tolerance ± 0.5
 Hole Position ± 0.2
 Unless otherwise stated all dimensions are in millimetres
 Remove all sharp edges to BS308: 1984 Parts 1,2 and 3.

DO NOT SCALE IF IN DOUBT ASK
 THIS DRAWING IS THE PROPERTY OF PERFORMANCE ENCLOSURES LIMITED AND THE INFORMATION CONTAINED HEREIN IS CONFIDENTIAL. THE DRAWING MAY NOT BE COPIED, USED OR DISCLOSED EXCEPT WITH WRITTEN PERMISSION OF AND IN THE MANNER PERMITTED BY THE PROPRIETORS.

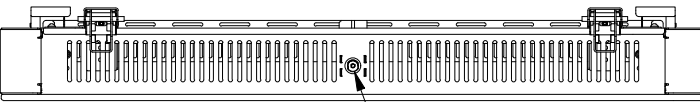
Material:	-
Finish:	-
Drawn:	N.Allen
Checked:	-
Approved:	-
Scale:	1/12



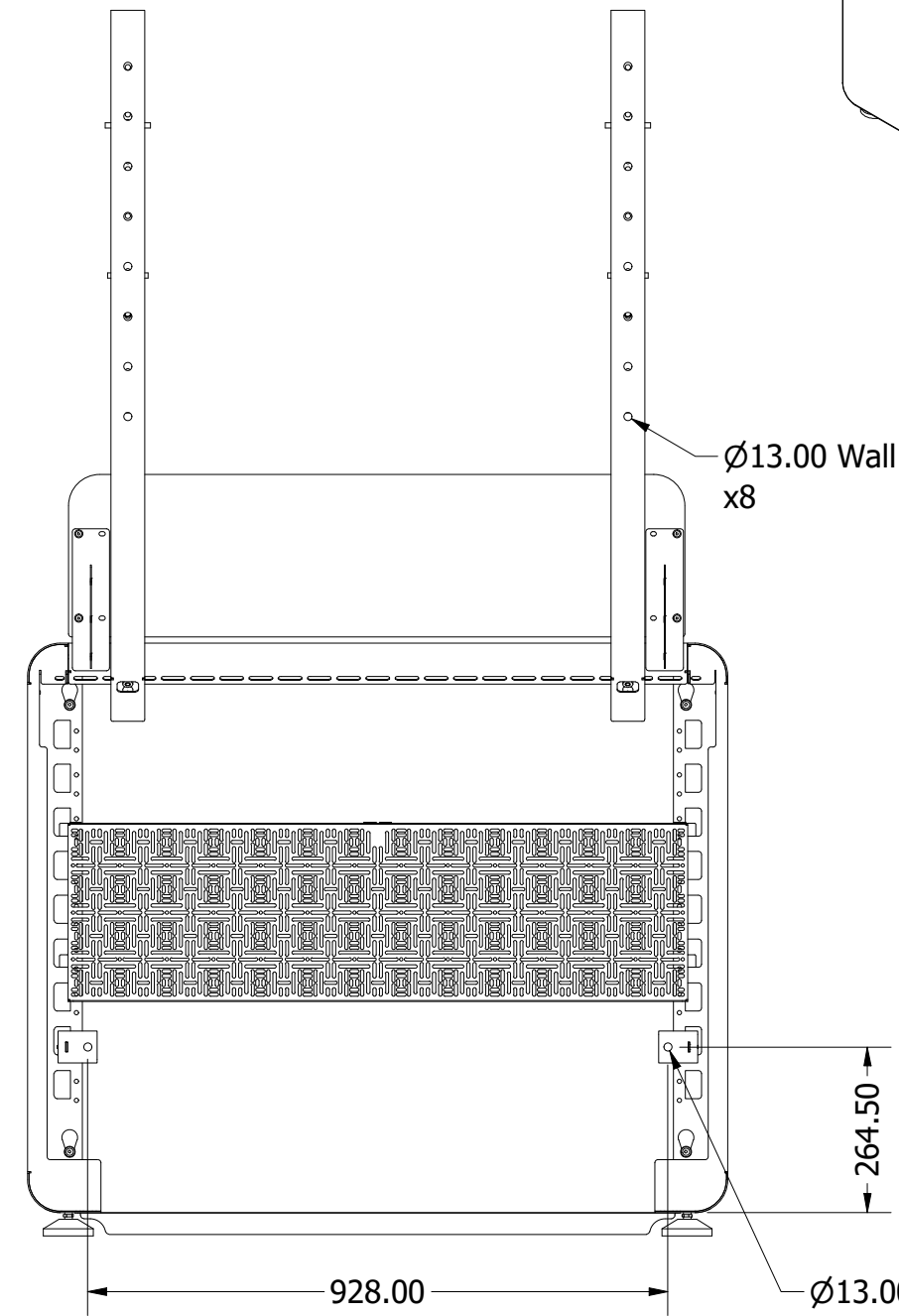
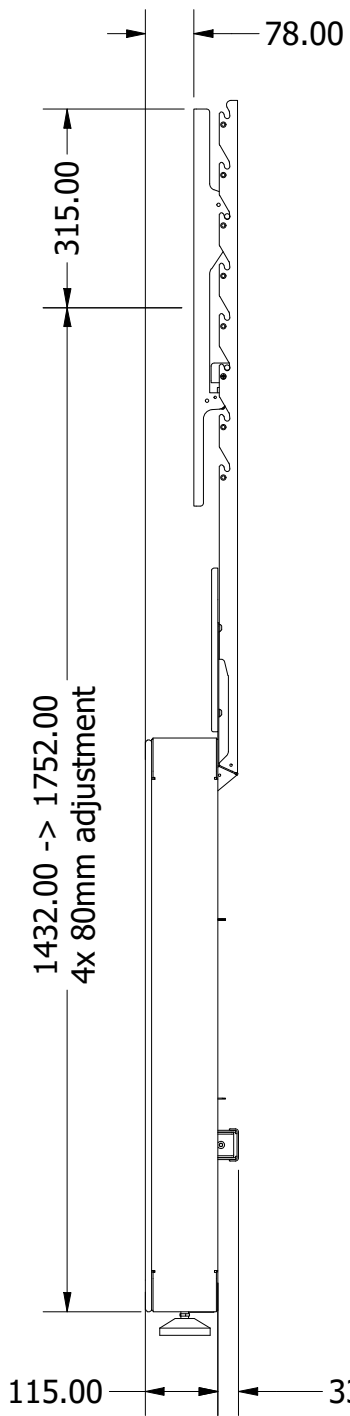
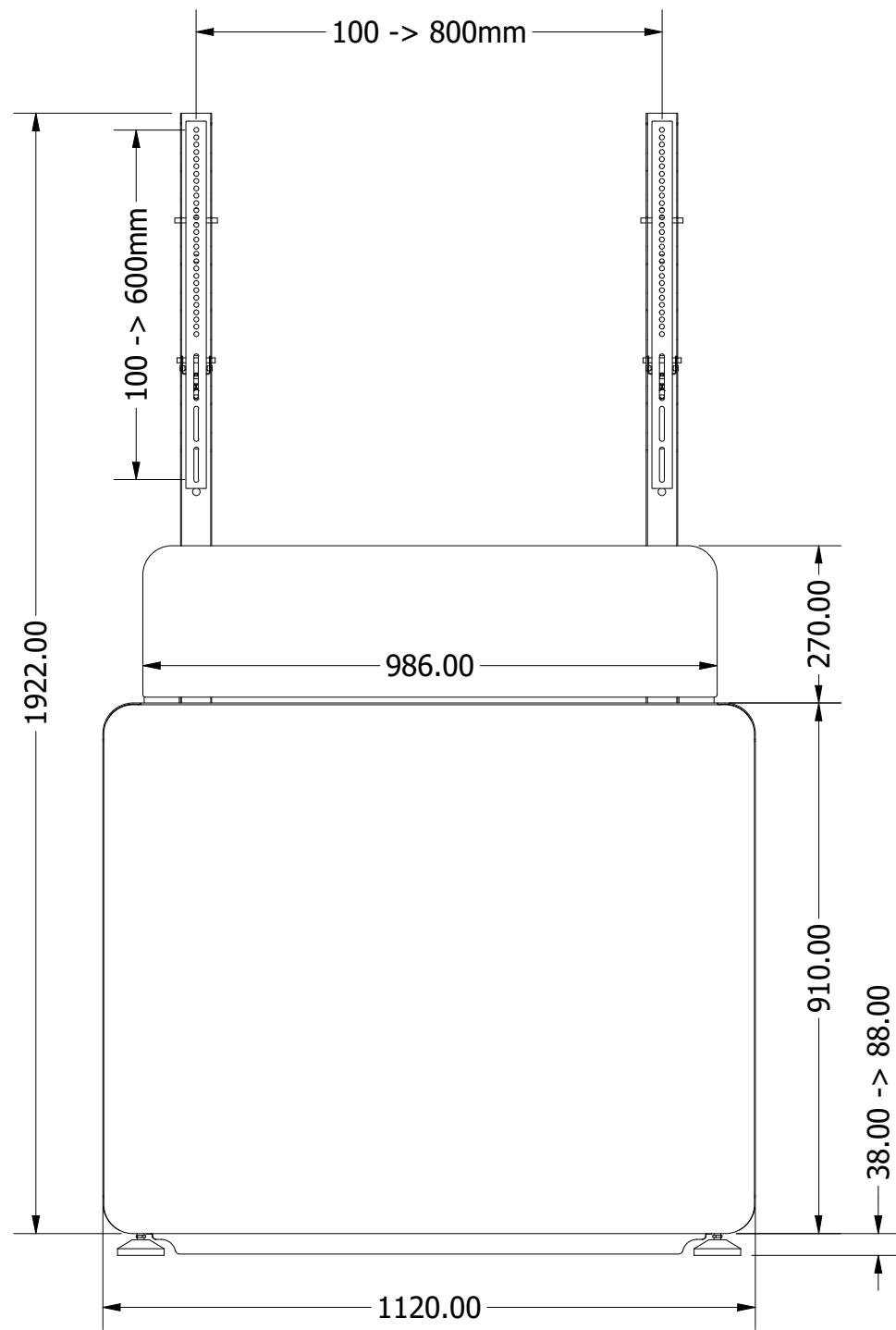
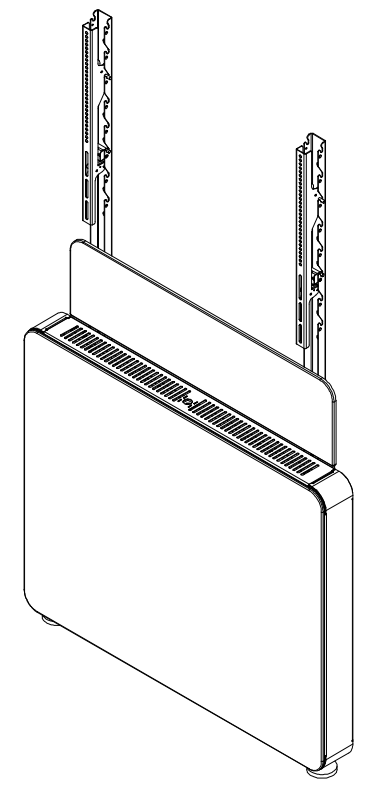
Drawing Title:	WorksWall - 1 Bay - Standard Uprights Technical Specification
Drawing No.:	-
Sheet	1 of 1

6 5 4 3 2 1

Screen Configurator		
Number of Screens	Screen Sizes	Max VESA
1	65"-98"	800x600



Panel Lock Position



Ø13.00 Wall Anchor point x8

Ø13.00 Wall Anchor point

D
C
B
A

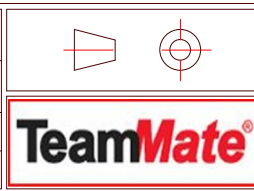
D
C
B
A

Rev	Description	Date	Name
A	Issued for manufacture	25/02/26	N.Allen

Notes:
 General Tolerance ±0.2
 Angular Tolerance ±0.5
 Hole Position ±0.2
 Unless otherwise stated all dimensions are in millimetres
 Remove all sharp edges to BS308: 1984 Parts 1,2 and 3.

DO NOT SCALE IF IN DOUBT ASK
 THIS DRAWING IS THE PROPERTY OF PERFORMANCE ENCLOSURES LIMITED AND THE INFORMATION CONTAINED HEREIN IS CONFIDENTIAL. THE DRAWING MAY NOT BE COPIED, USED OR DISCLOSED EXCEPT WITH WRITTEN PERMISSION OF AND IN THE MANNER PERMITTED BY THE PROPRIETORS.

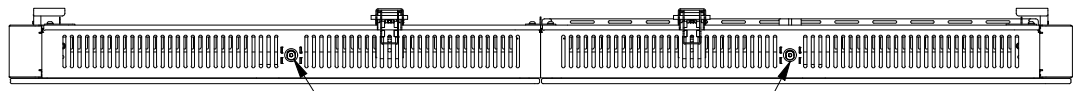
Material:	-
Finish:	-
Drawn:	N.Allen
Checked:	-
Approved:	-
Scale:	1/12



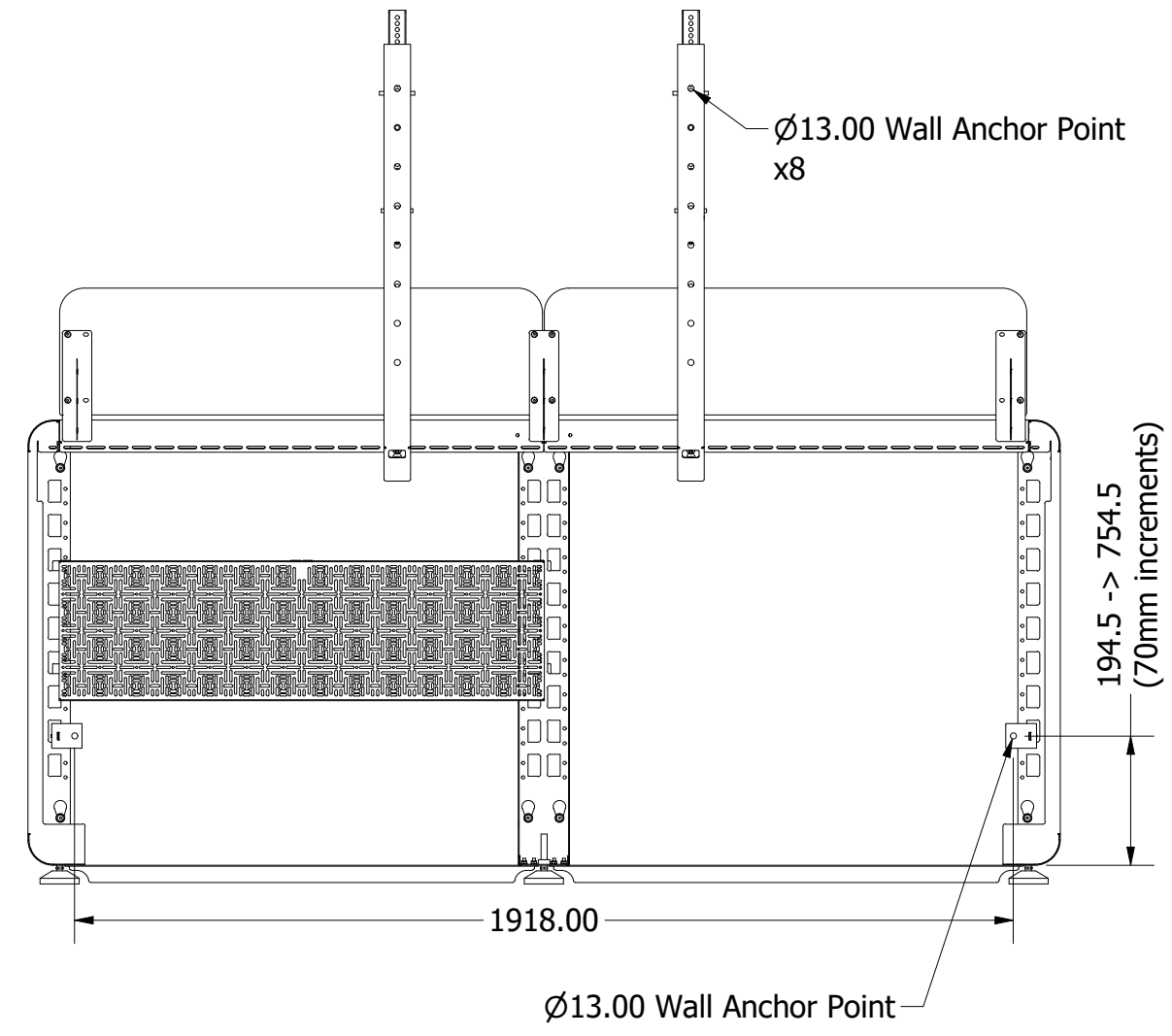
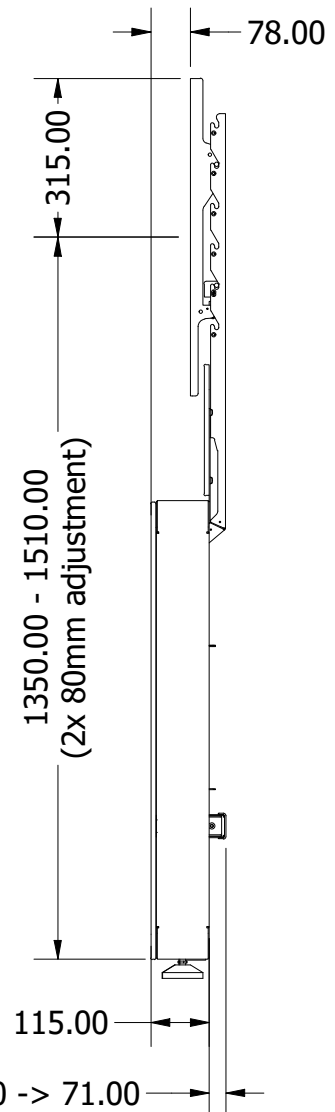
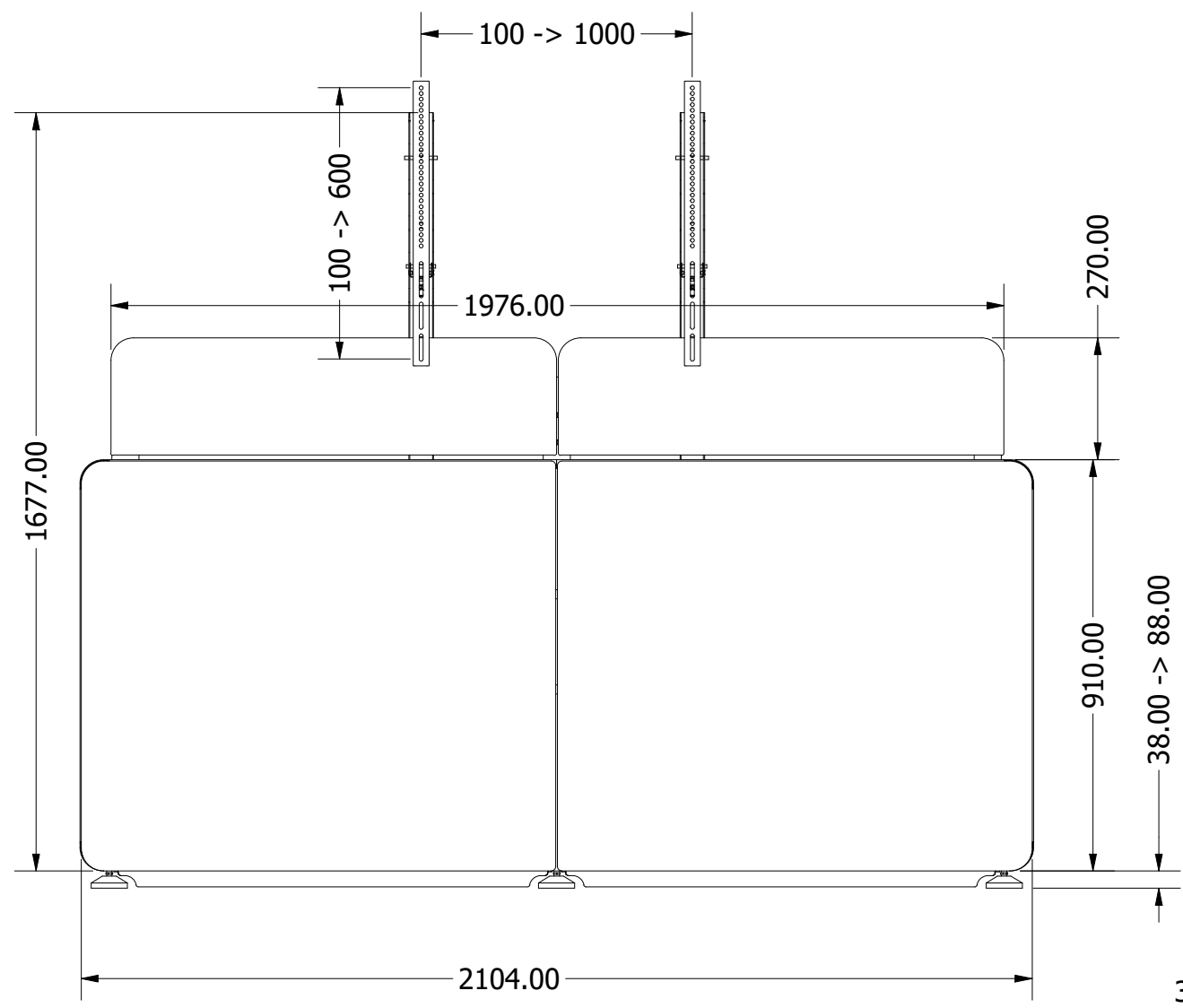
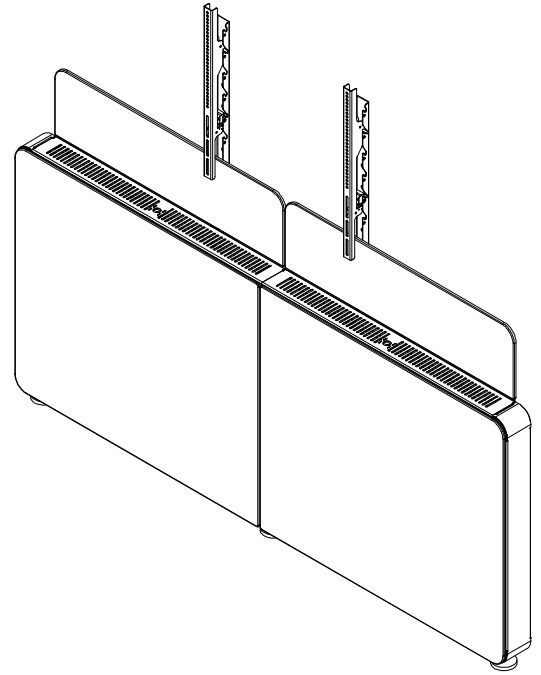
Drawing Title:	WorksWall - 1 Bay - Tall Uprights Technical Specification
Drawing No.:	-
Sheet	1 of 1

6 5 4 3 2 1

Screen Configurator		
Number of Screens	Screen Sizes	Max VESA
1	55"-75"	1000x600
2	55"-65"	400x600



Panel Lock Position



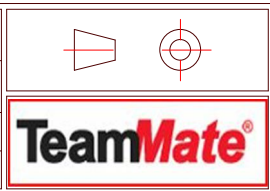
Rev	Description	Date	Name
-	-	-	-
A	Issued for manufacture	-	N.Allen

Notes:
 General Tolerance ±0.2
 Angular Tolerance ±0.5
 Hole Position ±0.2
 Unless otherwise stated all dimensions are in millimetres
 Remove all sharp edges to BS308: 1984 Parts 1,2 and 3.

DO NOT SCALE IF IN DOUBT ASK

THIS DRAWING IS THE PROPERTY OF PERFORMANCE ENCLOSURES LIMITED AND THE INFORMATION CONTAINED HEREIN IS CONFIDENTIAL. THE DRAWING MAY NOT BE COPIED, USED OR DISCLOSED EXCEPT WITH WRITTEN PERMISSION OF AND IN THE MANNER PERMITTED BY THE PROPRIETORS.

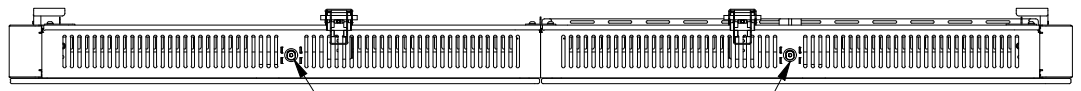
Material:	-
Finish:	-
Drawn:	N.Allen
Checked:	-
Approved:	-
Scale:	1/15



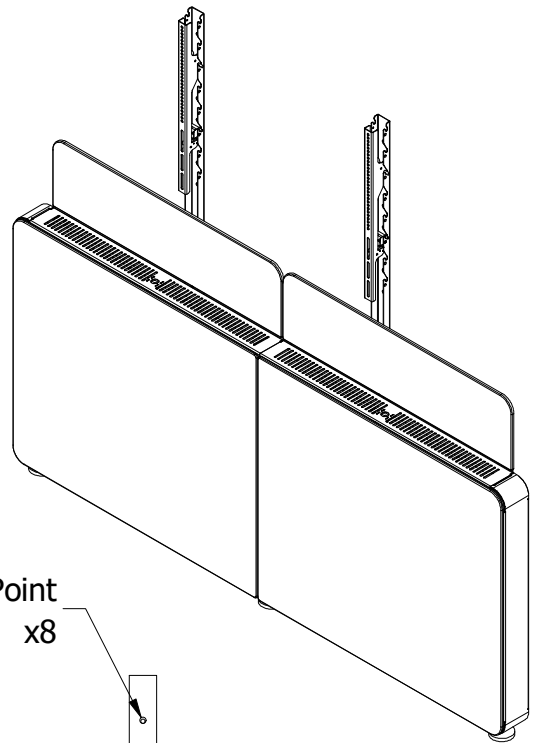
Drawing Title:	WorksWall - 2 Bay - Standard Uprights Technical Specification
Drawing No.:	-
Sheet	1 of 1

6 5 4 3 2 1

Screen Configurator		
Number of Screens	Screen Sizes	Max VESA
1	65"-98"	1000x600
2	55"	400x600



Panel Lock Position



D

D

C

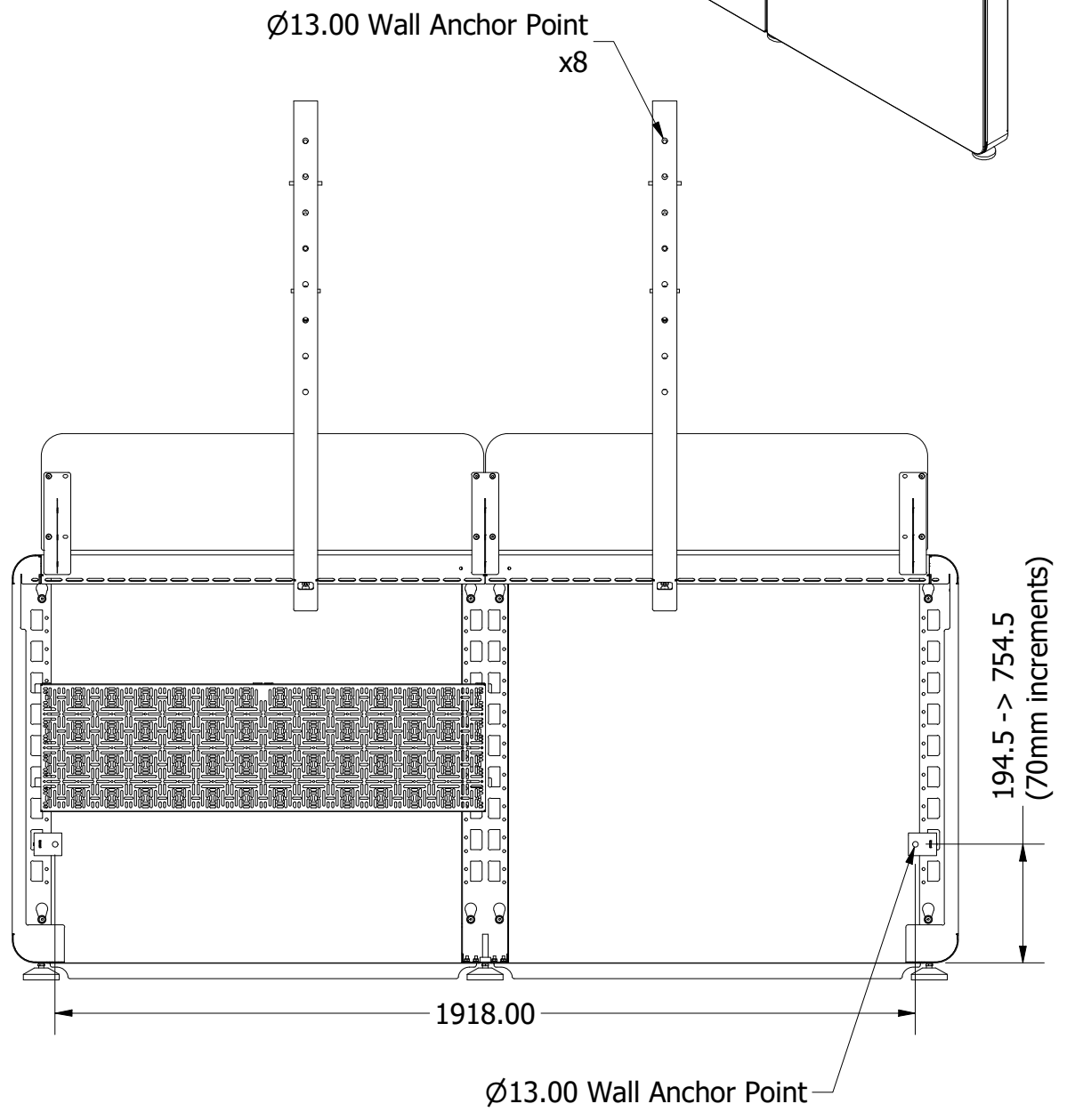
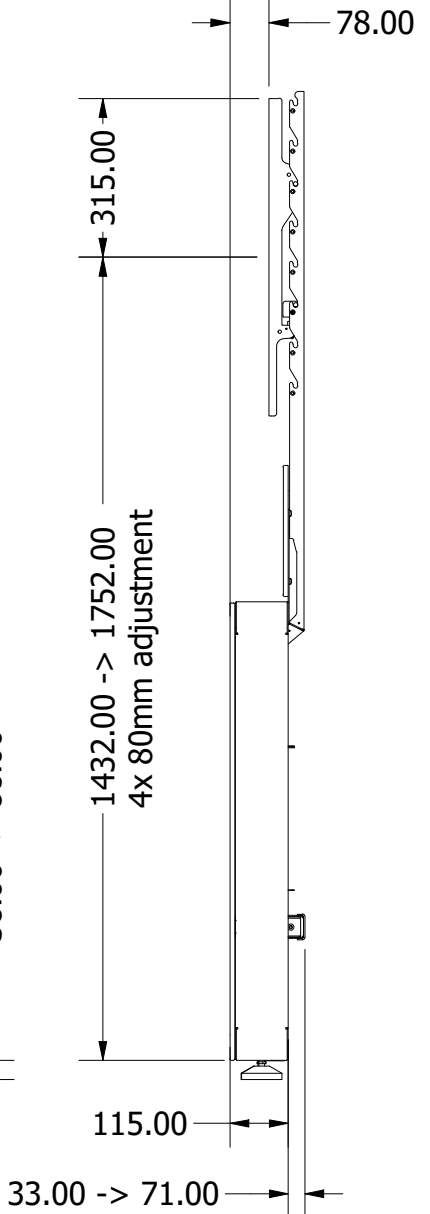
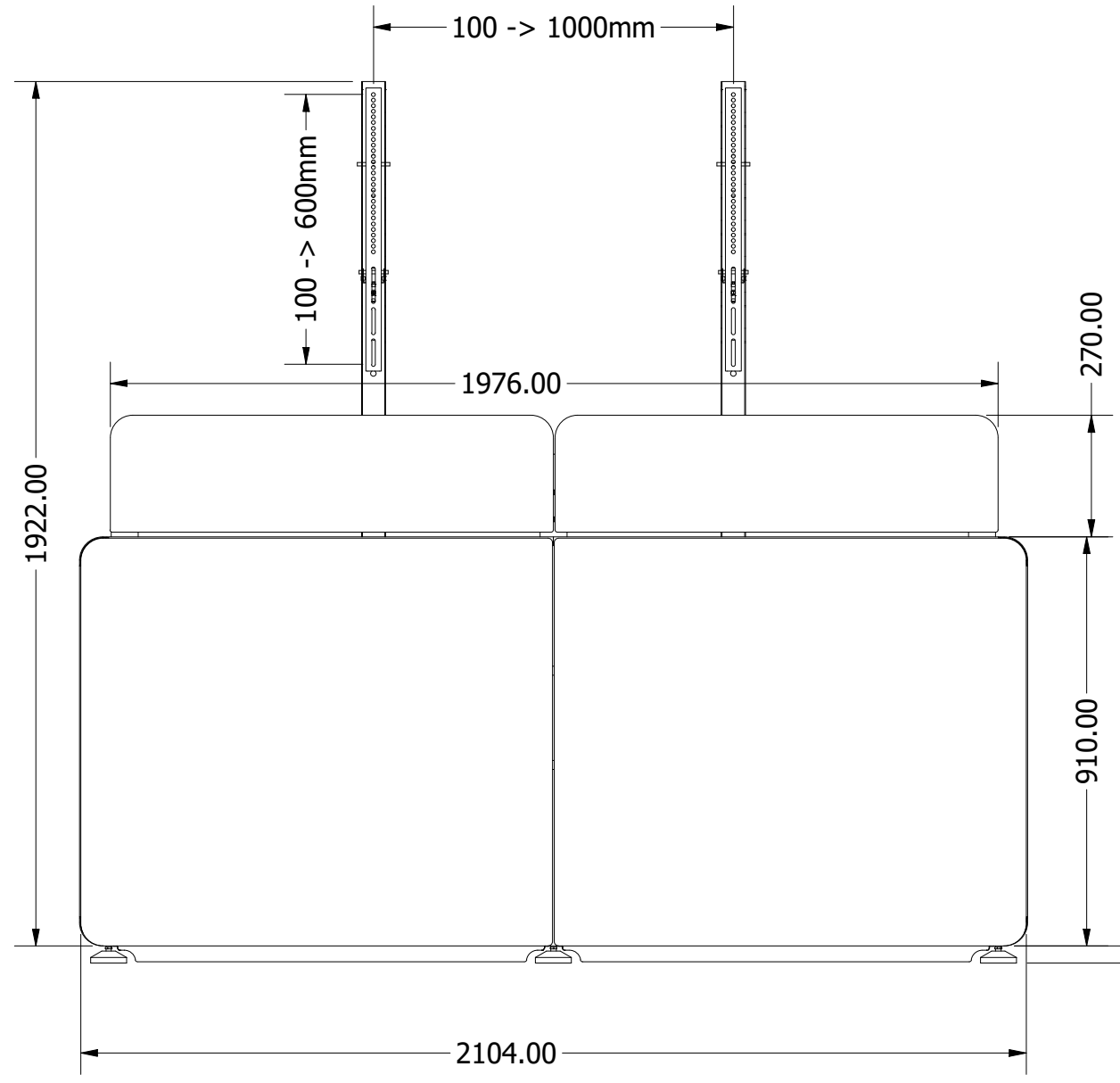
C

B

B

A

A

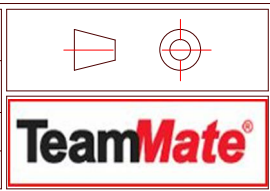


Rev	Description	Date	Name
A	Issued for manufacture	26/02/26	N.Allen

Notes:
 General Tolerance ± 0.2
 Angular Tolerance ± 0.5
 Hole Position ± 0.2
 Unless otherwise stated all dimensions are in millimetres
 Remove all sharp edges to BS308: 1984 Parts 1, 2 and 3.

DO NOT SCALE IF IN DOUBT ASK
 THIS DRAWING IS THE PROPERTY OF PERFORMANCE ENCLOSURES LIMITED AND THE INFORMATION CONTAINED HEREIN IS CONFIDENTIAL. THE DRAWING MAY NOT BE COPIED, USED OR DISCLOSED EXCEPT WITH WRITTEN PERMISSION OF AND IN THE MANNER PERMITTED BY THE PROPRIETORS.

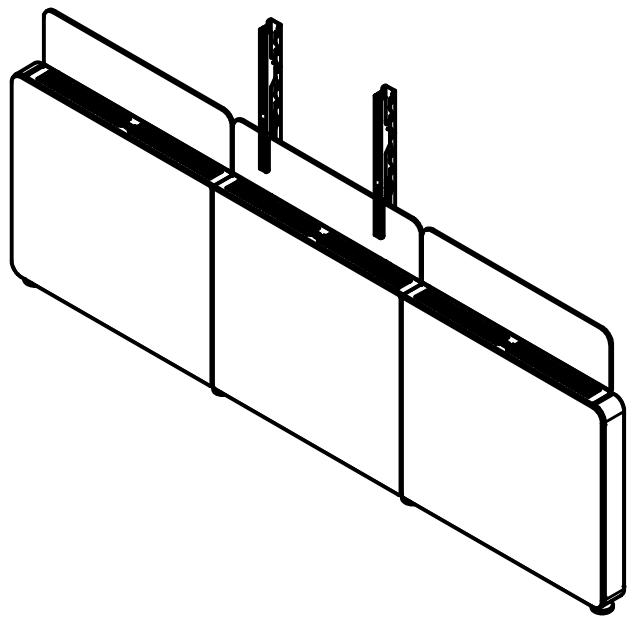
Material:	-
Finish:	-
Drawn:	N.Allen
Checked:	-
Approved:	-
Scale:	1/15



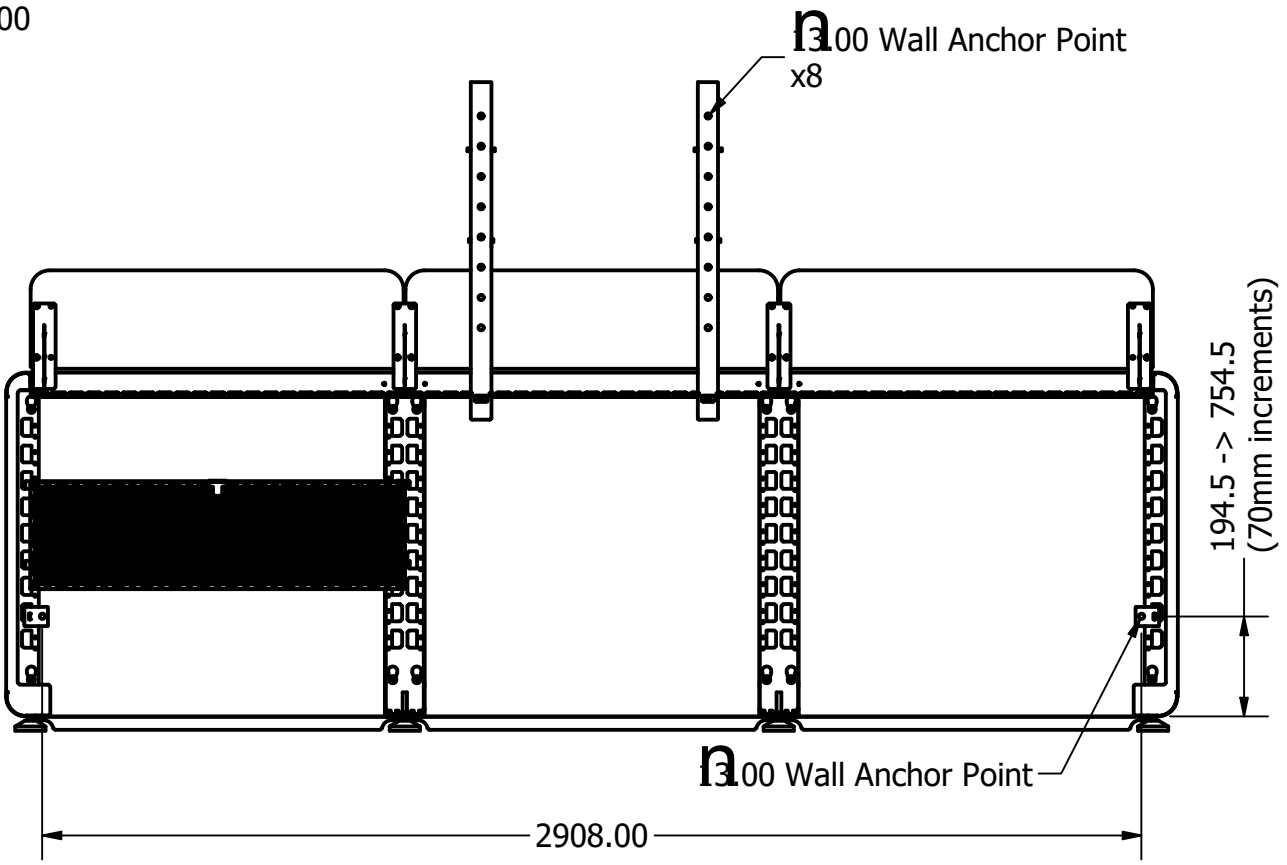
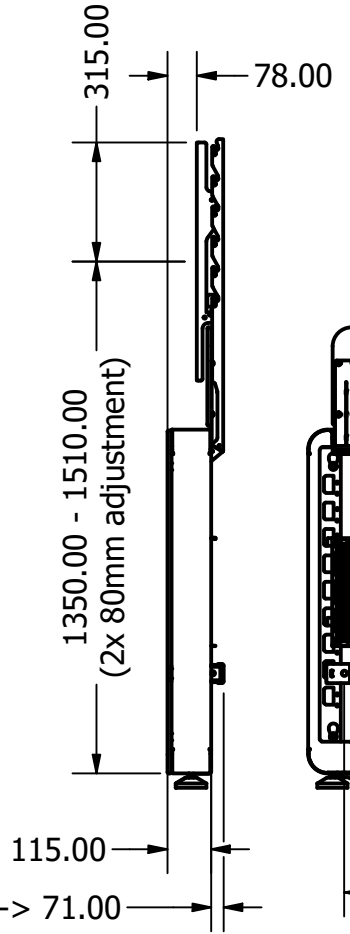
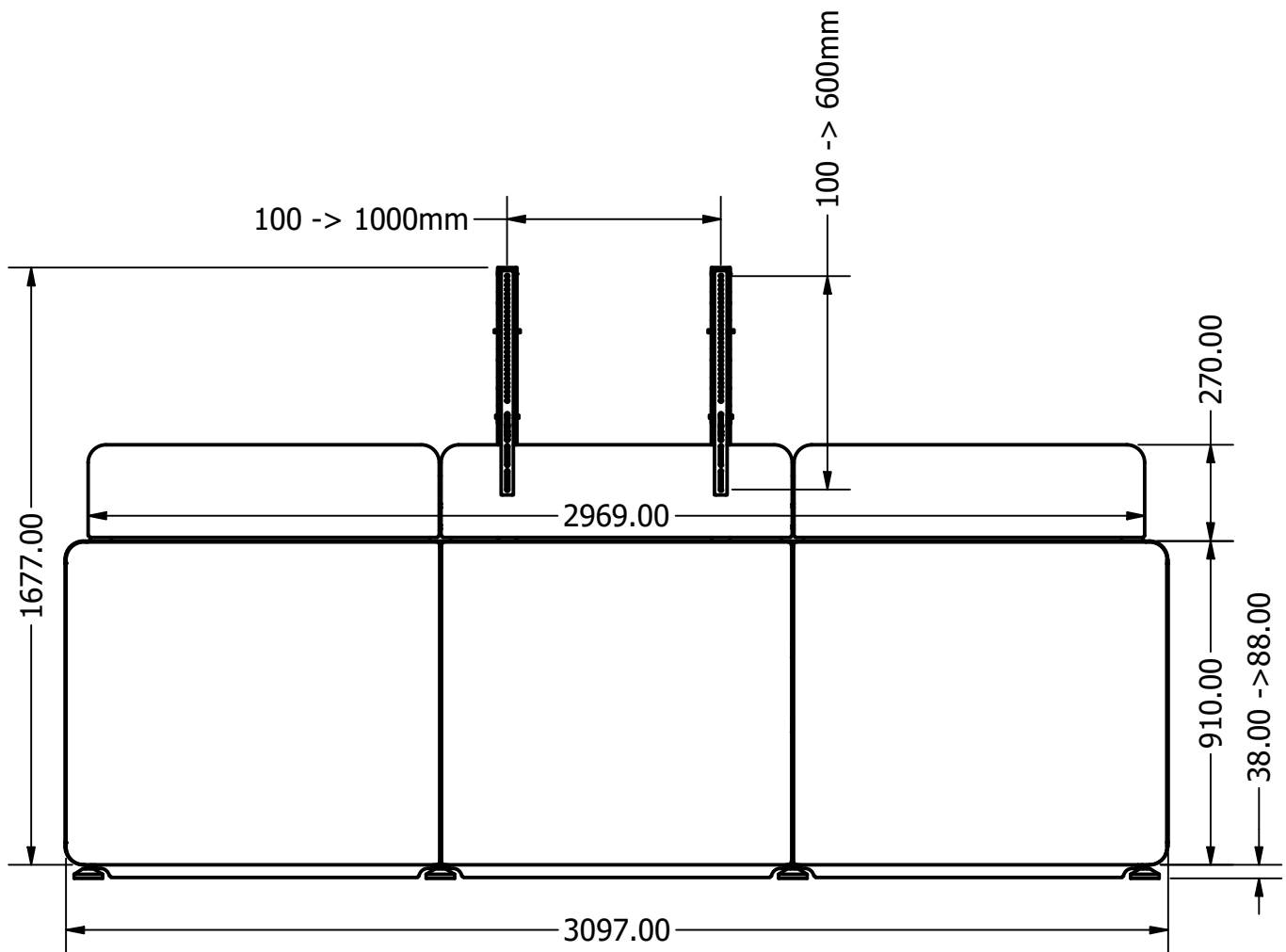
Drawing Title:	WorksWall - 2 Bay - Tall Uprights Technical Specification
Drawing No.:	-
Sheet	1 of 1

6 5 4 3 2 1

Screen Configurator		
Number of Screens	Screen Sizes	Max VESA
1	55"-75"	1000x600
2	55-75"	800x600



Panel Lock Position



Rev	Description	Date	Name
A	Issued for manufacture	27/02/26	N.Allen

Notes:
 General Tolerance ± 0.2
 Angular Tolerance ± 0.5
 Hole Position ± 0.2
 Unless otherwise stated all dimensions are in millimetres
 Remove all sharp edges to BS308: 1984 Parts 1,2 and 3.

DO NOT SCALE IF IN DOUBT ASK
 THIS DRAWING IS THE PROPERTY OF PERFORMANCE ENCLOSURES LIMITED AND THE INFORMATION CONTAINED HEREIN IS CONFIDENTIAL. THE DRAWING MAY NOT BE COPIED, USED OR DISCLOSED EXCEPT WITH WRITTEN PERMISSION OF AND IN THE MANNER PERMITTED BY THE PROPRIETORS.

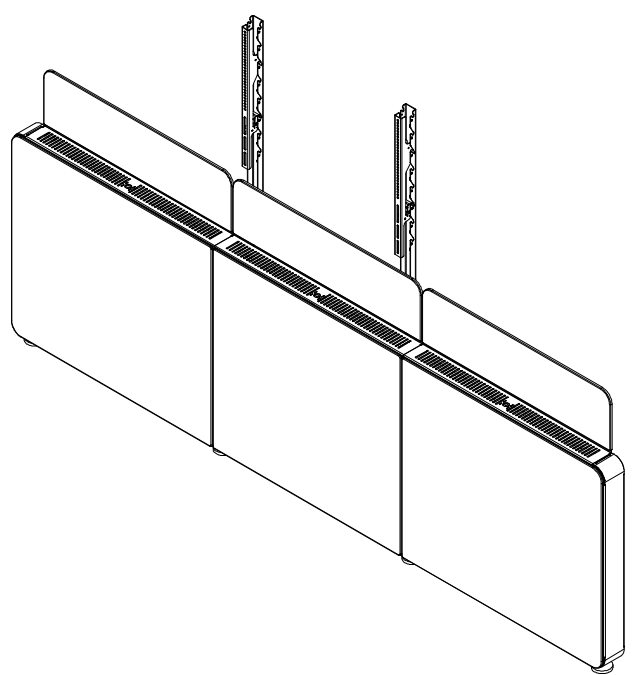
Material:	-
Finish:	-
Drawn:	N.Allen
Checked:	-
Approved:	-
Scale:	1/20



Drawing Title:	WorksWall - 3 Bay - Standard Uprights Technical Specification
Drawing No.:	-
Sheet	1 of 1

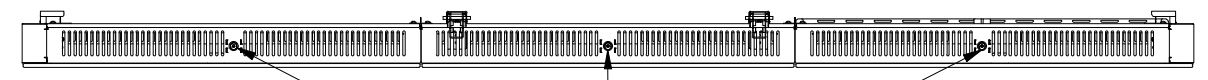
6 5 4 3 2 1

Screen Configurator		
Number of Screens	Screen Sizes	Max VESA
1	65"-98"	1000x600
2	65"-86"	800x600

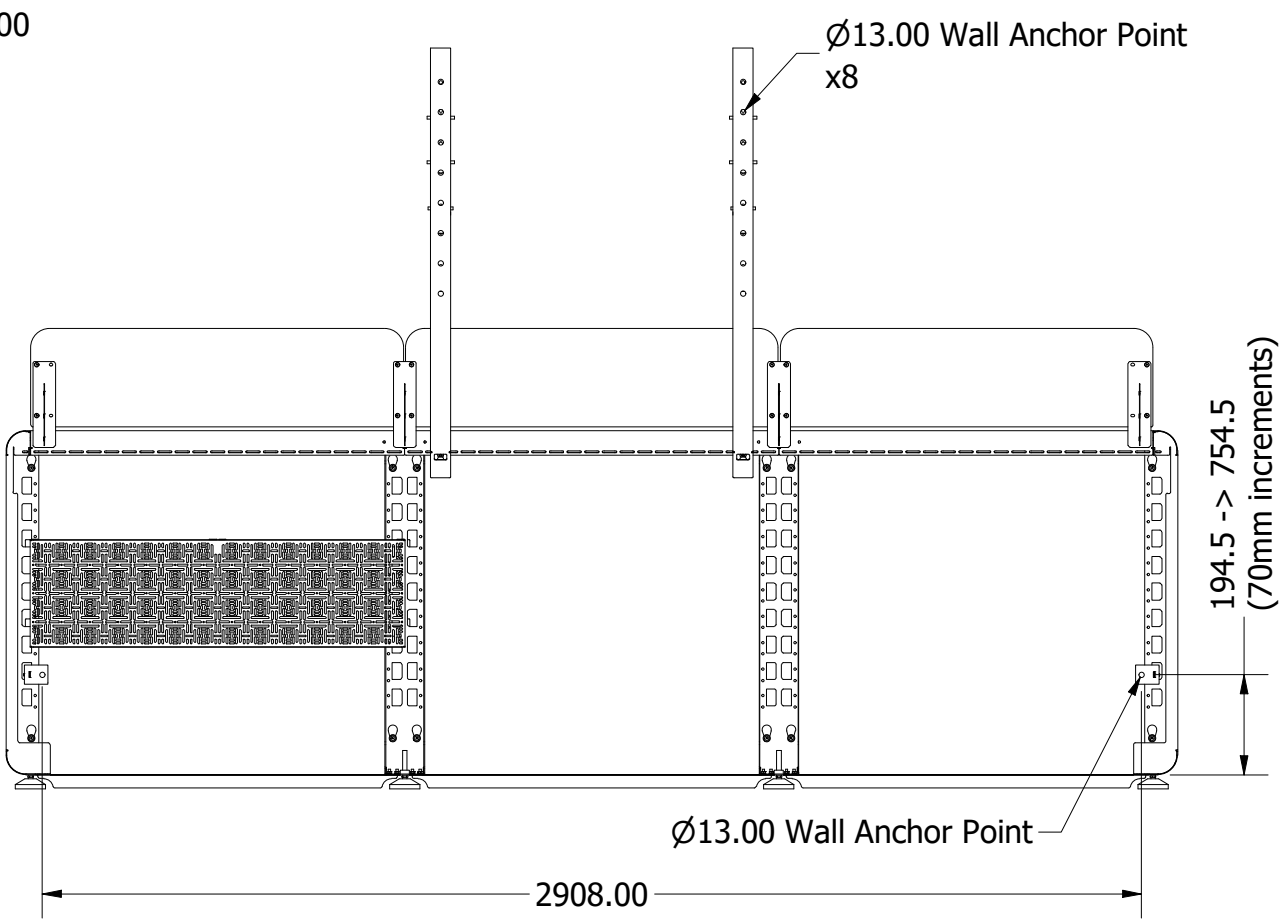
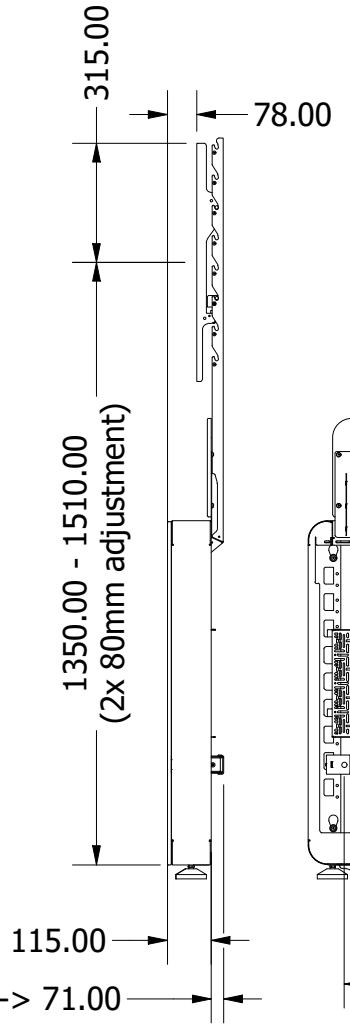
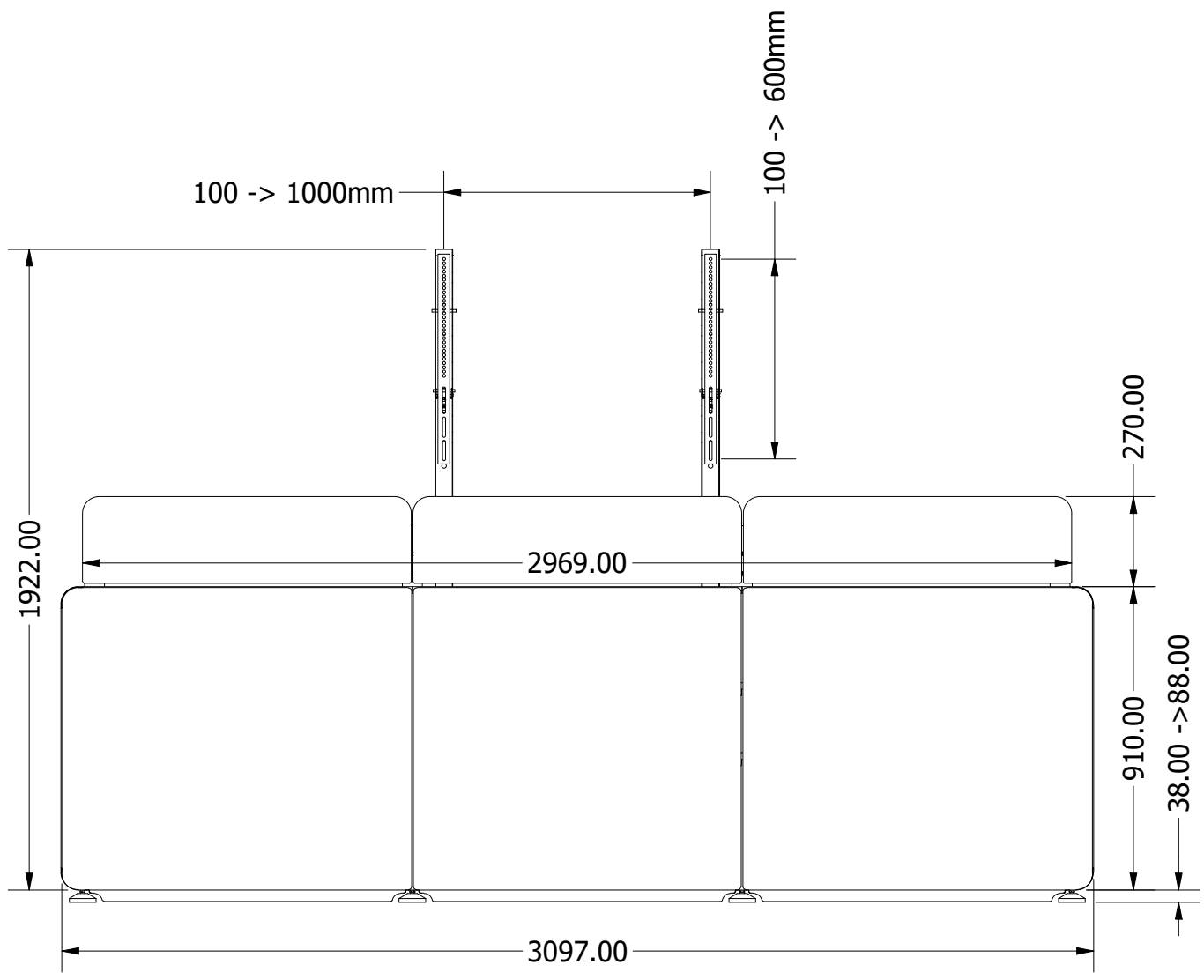


D
C
B
A

D
C
B
A



Panel Lock Position



A

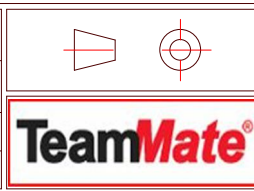
A

Rev	Description	Date	Name
A	Issued for manufacture	27/02/26	N.Allen

Notes:
 General Tolerance ± 0.2
 Angular Tolerance ± 0.5
 Hole Position ± 0.2
 Unless otherwise stated all dimensions are in millimetres
 Remove all sharp edges to BS308: 1984 Parts 1,2 and 3.

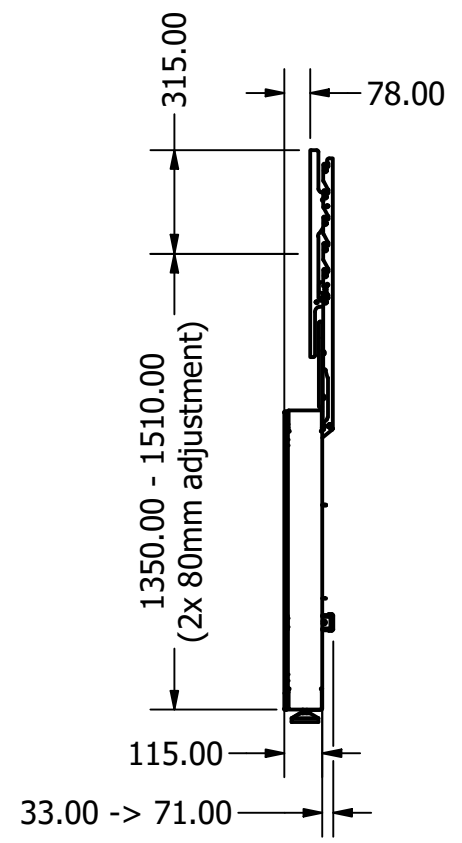
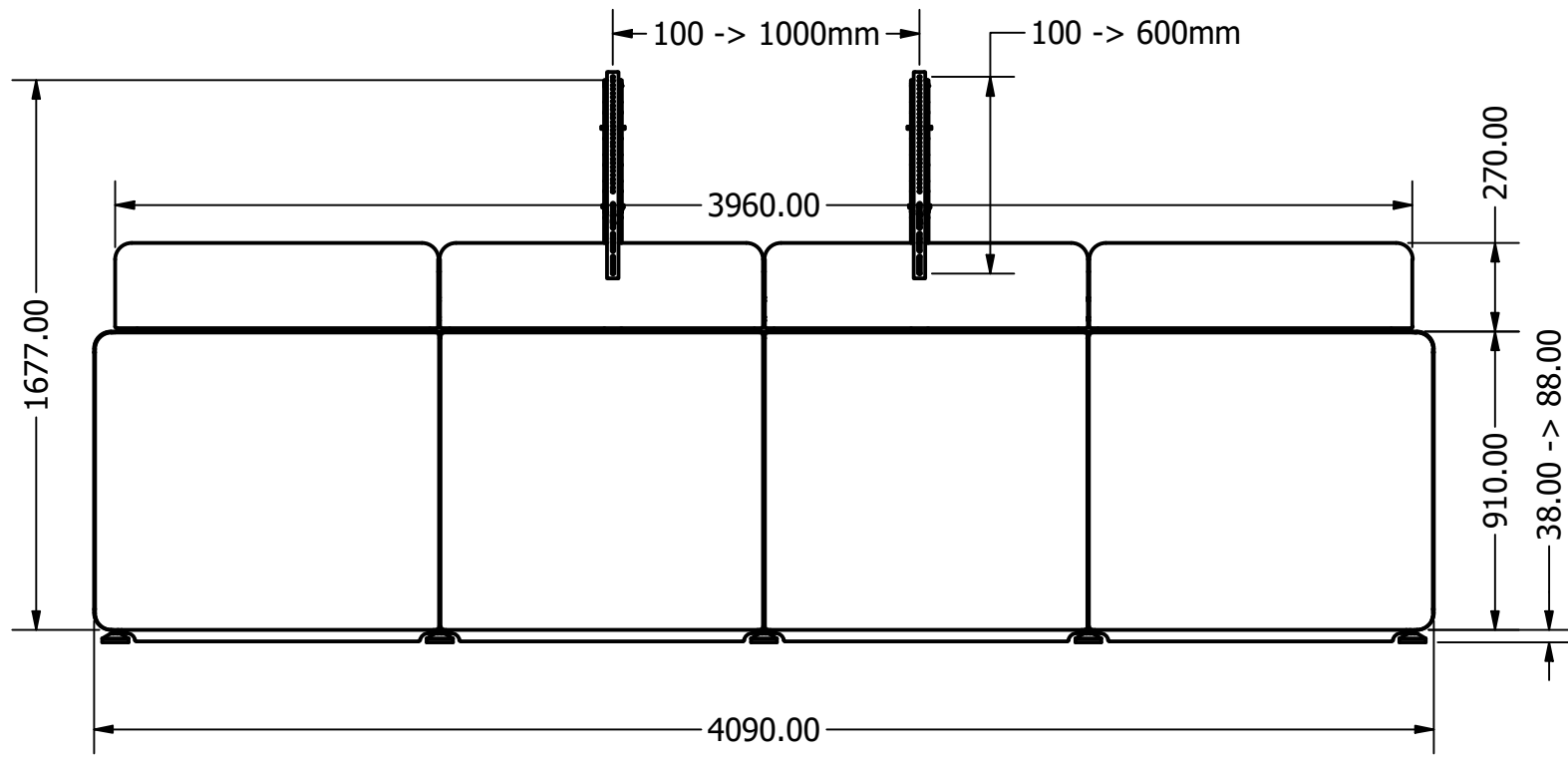
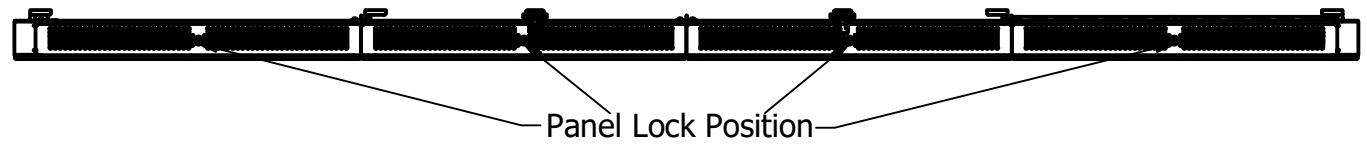
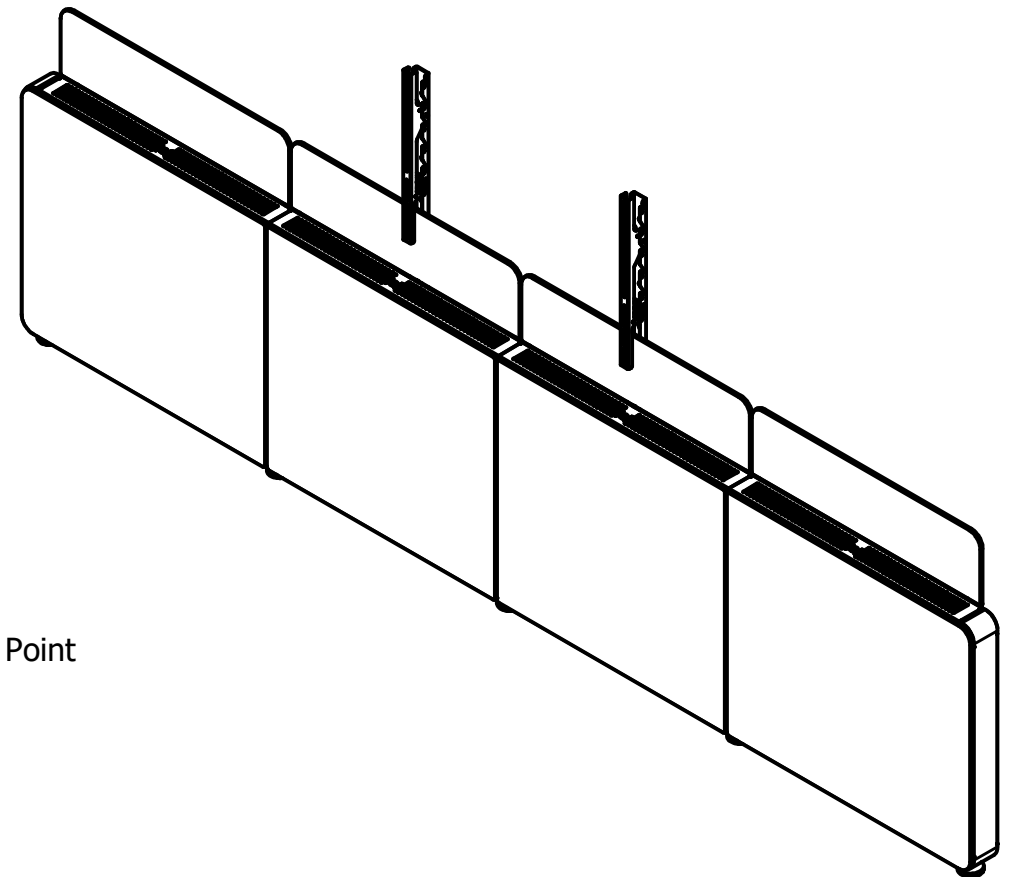
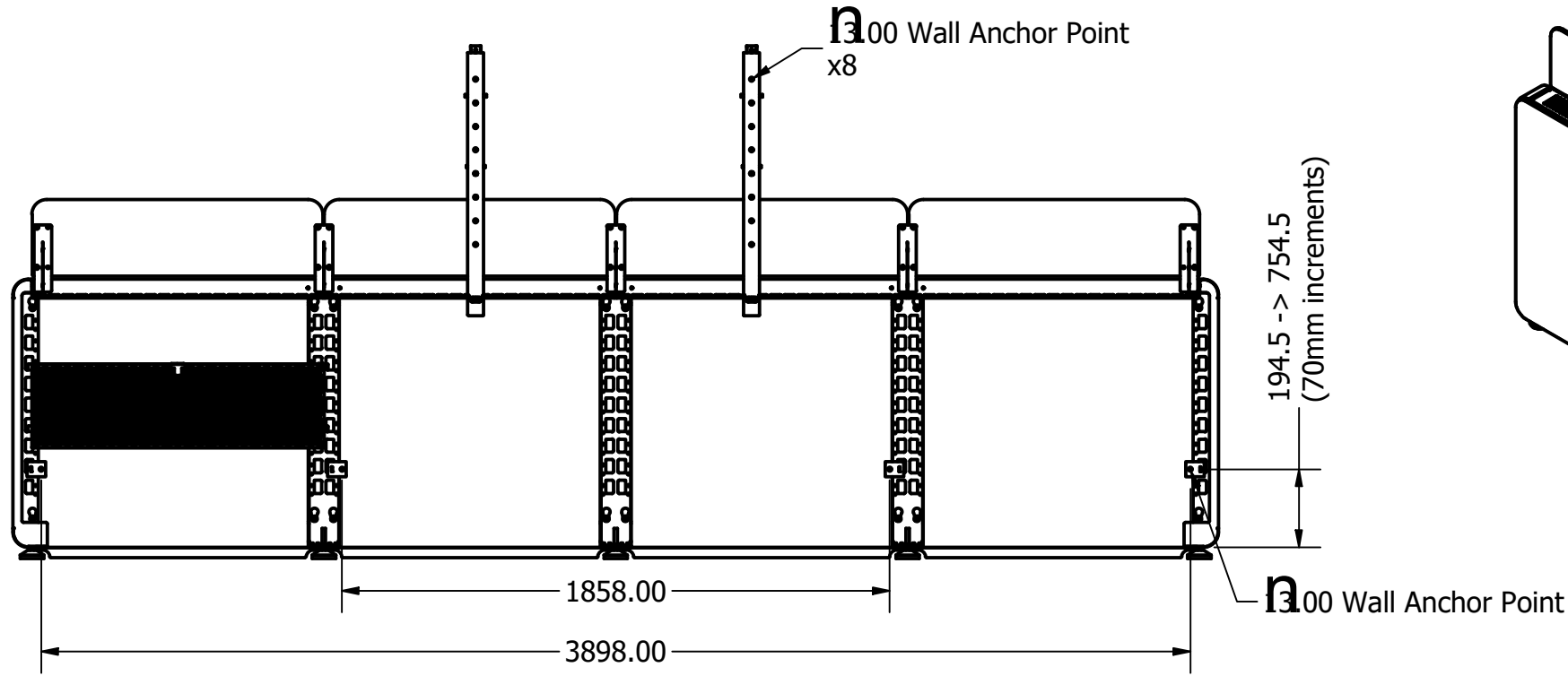
DO NOT SCALE IF IN DOUBT ASK
 THIS DRAWING IS THE PROPERTY OF PERFORMANCE ENCLOSURES LIMITED AND THE INFORMATION CONTAINED HEREIN IS CONFIDENTIAL. THE DRAWING MAY NOT BE COPIED, USED OR DISCLOSED EXCEPT WITH WRITTEN PERMISSION OF AND IN THE MANNER PERMITTED BY THE PROPRIETORS.

Material:	-
Finish:	-
Drawn:	N.Allen
Checked:	-
Approved:	-
Scale:	1/20



Drawing Title:	WorksWall - 3 Bay - Tall Uprights Technical Specification
Drawing No.:	-
Sheet	1 of 1

6 5 4 3 2 1



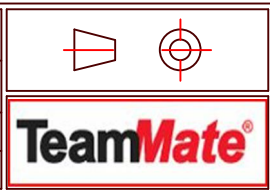
Screen Configurator		
Number of Screens	Screen Sizes	Max VESA
2	55"-75"	800x600
3	55"-75"	800x600

Rev	Description	Date	Name
A	Issued for manufacture	27/02/26	N.Allen

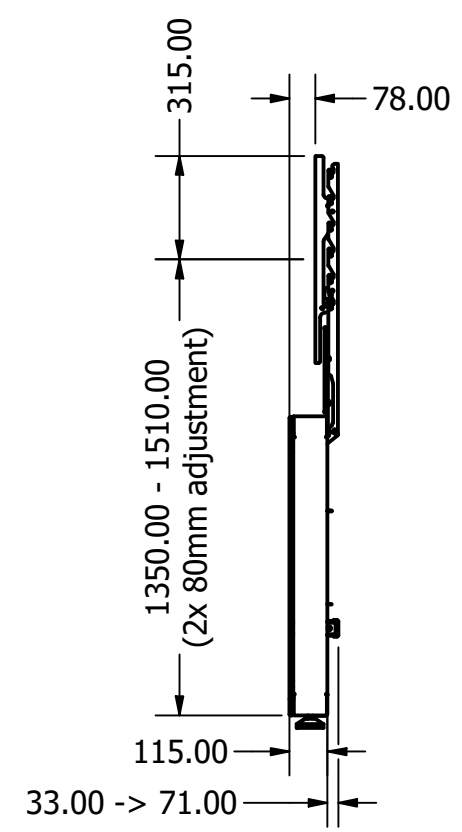
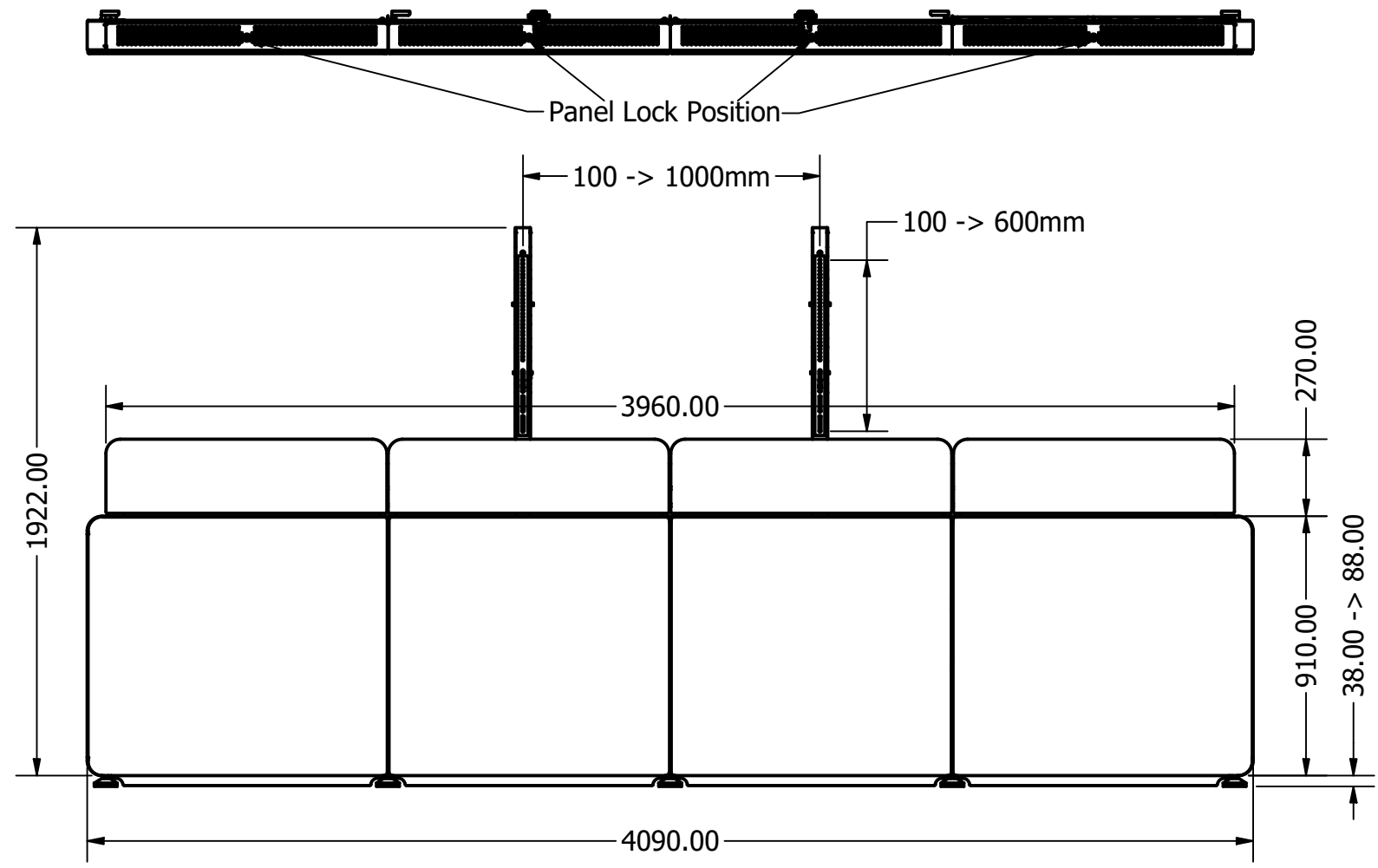
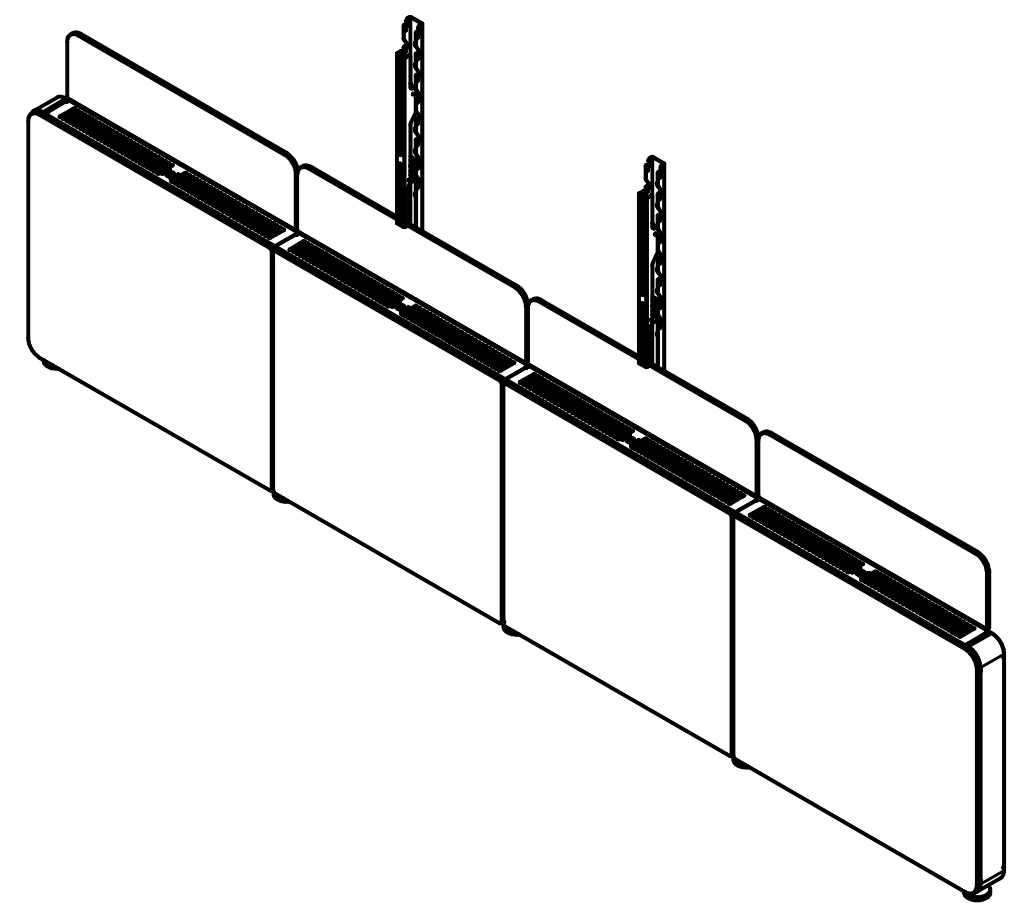
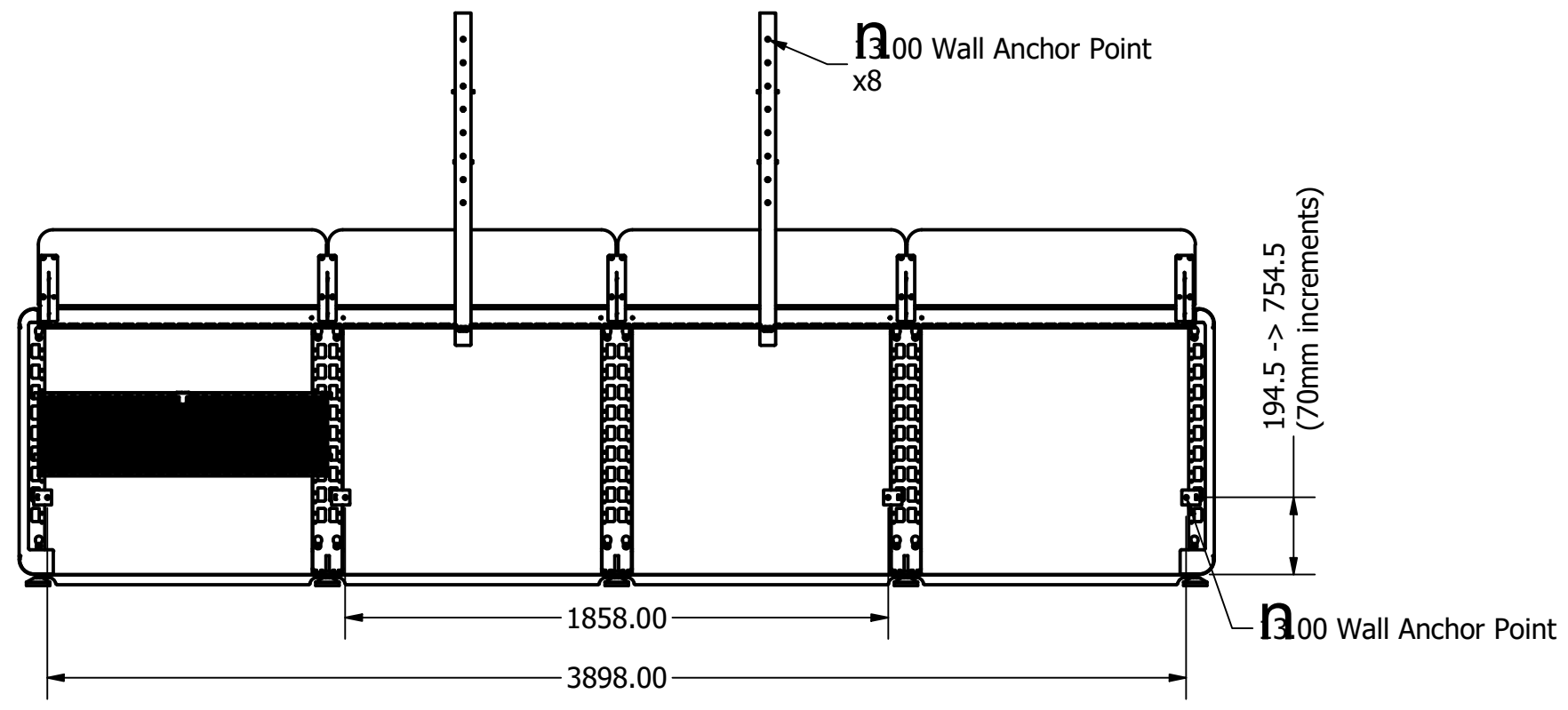
Notes:
 General Tolerance ± 0.2
 Angular Tolerance ± 0.5
 Hole Position ± 0.2
 Unless otherwise stated all dimensions are in millimetres
 Remove all sharp edges to BS308: 1984 Parts 1,2 and 3.

DO NOT SCALE IF IN DOUBT ASK
 THIS DRAWING IS THE PROPERTY OF PERFORMANCE ENCLOSURES LIMITED AND THE INFORMATION CONTAINED HEREIN IS CONFIDENTIAL. THE DRAWING MAY NOT BE COPIED, USED OR DISCLOSED EXCEPT WITH WRITTEN PERMISSION OF AND IN THE MANNER PERMITTED BY THE PROPRIETORS.

Material:	-
Finish:	-
Drawn:	N.Allen
Checked:	-
Approved:	-
Scale:	1/23



Drawing Title:	WorksWall - 4 Bay - Standard Uprights Technical Specification
Drawing No.:	-
Sheet	1 of 1



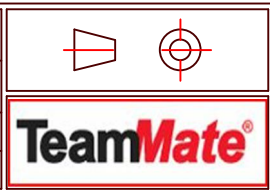
Screen Configurator		
Number of Screens	Screen Sizes	Max VESA
2	75"-98"	800x600
3	55"-75"	800x600

Rev	Description	Date	Name
A	Issued for manufacture	27/02/26	N.Allen

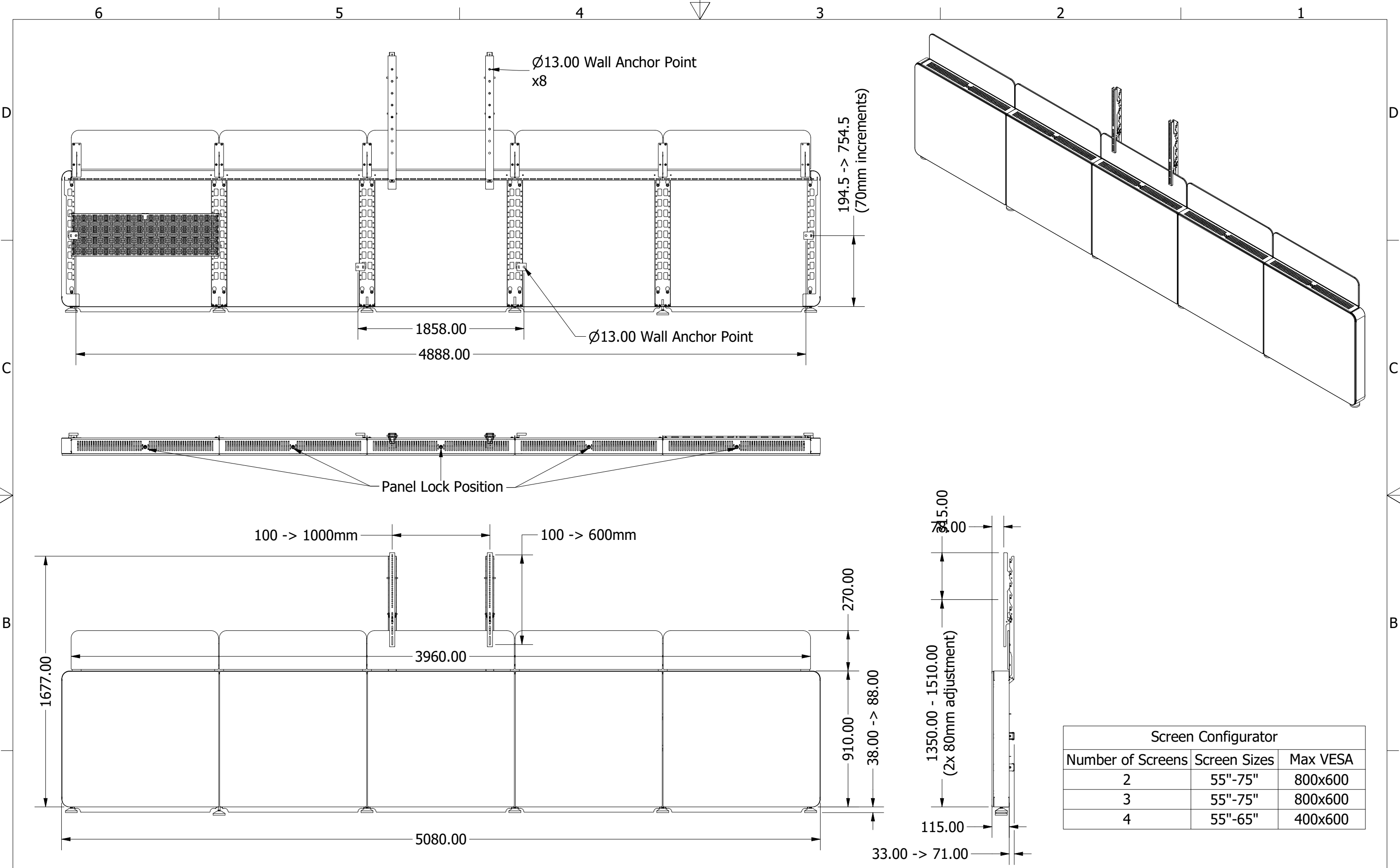
Notes:
 General Tolerance ± 0.2
 Angular Tolerance ± 0.5
 Hole Position ± 0.2
 Unless otherwise stated all dimensions are in millimetres
 Remove all sharp edges to BS308: 1984 Parts 1,2 and 3.

DO NOT SCALE IF IN DOUBT ASK
 THIS DRAWING IS THE PROPERTY OF PERFORMANCE ENCLOSURES LIMITED AND THE INFORMATION CONTAINED HEREIN IS CONFIDENTIAL. THE DRAWING MAY NOT BE COPIED, USED OR DISCLOSED EXCEPT WITH WRITTEN PERMISSION OF AND IN THE MANNER PERMITTED BY THE PROPRIETORS.

Material:	-
Finish:	-
Drawn:	N.Allen
Checked:	-
Approved:	-
Scale:	1/23



Drawing Title:	WorkWall - 4 Bay - Tall Uprights Technical Specification
Drawing No.:	-
Sheet	1 of 1

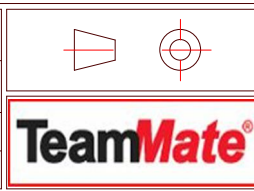


Rev	Description	Date	Name
A	Issued for manufacture	27/02/26	N.Allen

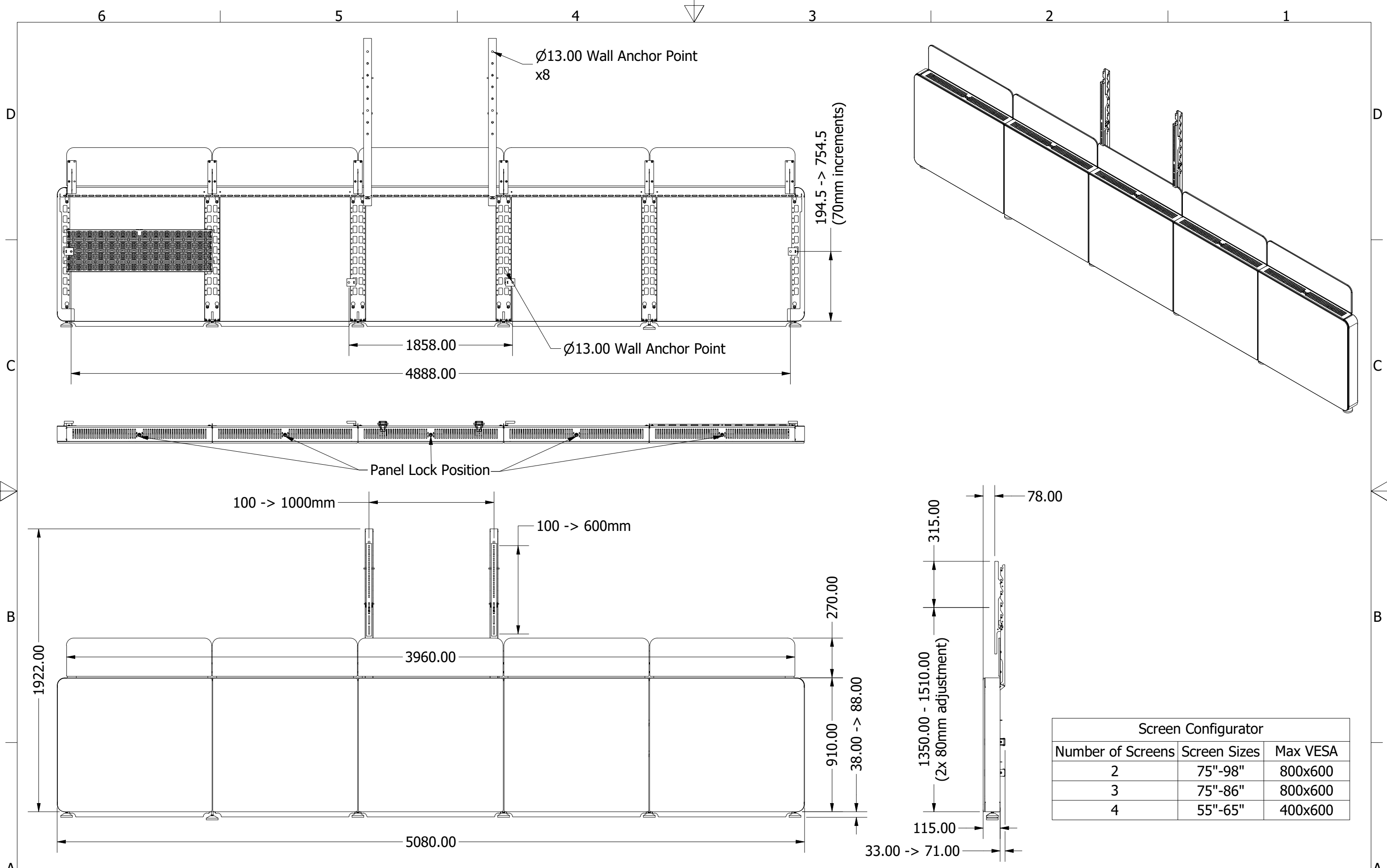
Notes:
 General Tolerance ±0.2
 Angular Tolerance ±0.5
 Hole Position ±0.2
 Unless otherwise stated all dimensions are in millimetres
 Remove all sharp edges to BS308: 1984 Parts 1,2 and 3.

DO NOT SCALE IF IN DOUBT ASK
 THIS DRAWING IS THE PROPERTY OF PERFORMANCE ENCLOSURES LIMITED AND THE INFORMATION CONTAINED HEREIN IS CONFIDENTIAL. THE DRAWING MAY NOT BE COPIED, USED OR DISCLOSED EXCEPT WITH WRITTEN PERMISSION OF AND IN THE MANNER PERMITTED BY THE PROPRIETORS.

Material:	-
Finish:	-
Drawn:	N.Allen
Checked:	-
Approved:	-
Scale:	1/23



Drawing Title:	WorksWall - 5 Bay - Standard Uprights Technical Specification
Drawing No.:	-
Sheet	1 of 1



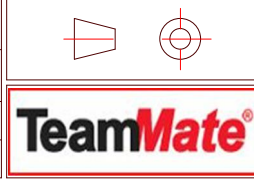
Rev	Description	Date	Name
A	Issued for manufacture	27/02/26	N.Allen

Notes:
 General Tolerance ±0.2
 Angular Tolerance ±0.5
 Hole Position ±0.2
 Unless otherwise stated all dimensions are in millimetres
 Remove all sharp edges to BS308: 1984 Parts 1,2 and 3.

DO NOT SCALE IF IN DOUBT ASK

THIS DRAWING IS THE PROPERTY OF PERFORMANCE ENCLOSURES LIMITED AND THE INFORMATION CONTAINED HEREIN IS CONFIDENTIAL. THE DRAWING MAY NOT BE COPIED, USED OR DISCLOSED EXCEPT WITH WRITTEN PERMISSION OF AND IN THE MANNER PERMITTED BY THE PROPRIETORS.

Material:	-
Finish:	-
Drawn:	N.Allen
Checked:	-
Approved:	-
Scale:	1/23



Drawing Title:	WorkWall - 4 Bay - Tall Uprights Technical Specification
Drawing No.:	-
Sheet	1 of 1