
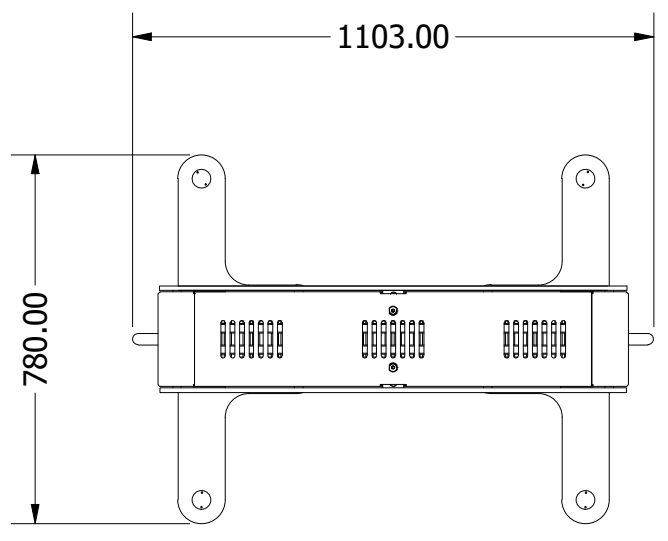


				Notes: General Tolerance ± 0.2 Angular Tolerance ± 0.5 Hole Position ± 0.2 Unless otherwise stated all dimensions are in millimetres Remove all sharp edges to BS308: 1984 Parts 1, 2 and 3.	DO NOT SCALE IF IN DOUBT ASK	Material: -		Drawing Title: WAYFINDER	
						Finish: -		Drawing No.: -	
						Drawn: S.Hack	Approved: -		
						Checked: -	Scale: 1 / 16		Sheet 1 of 2
Rev	Description	Date	Name						
A	Issued for manufacture	23/06/23	S.Hack						

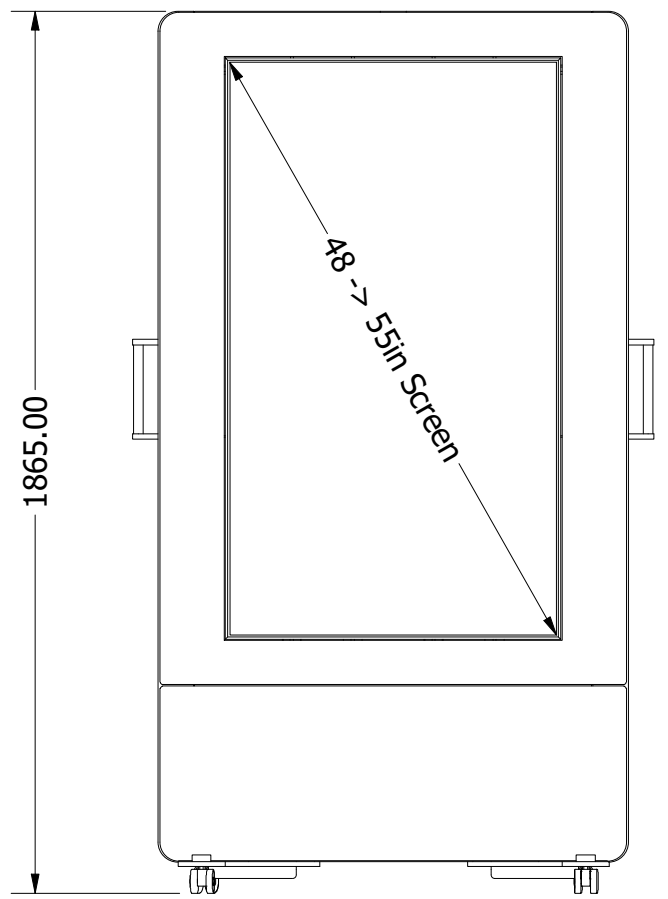
6 5 4 3 2 1

D



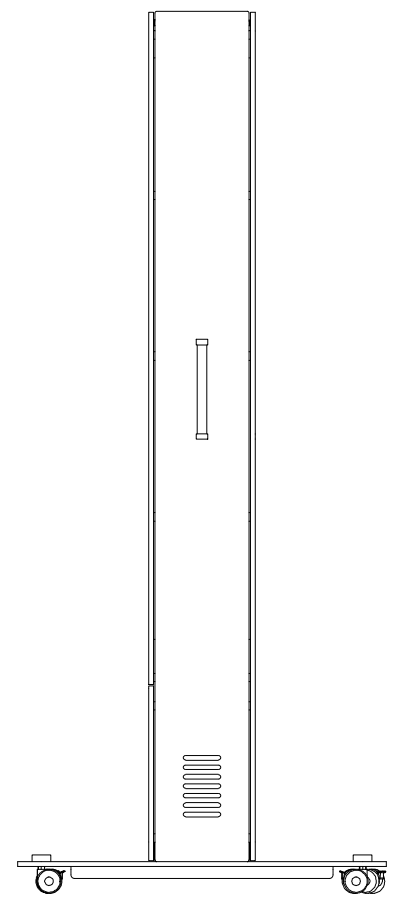
D

C



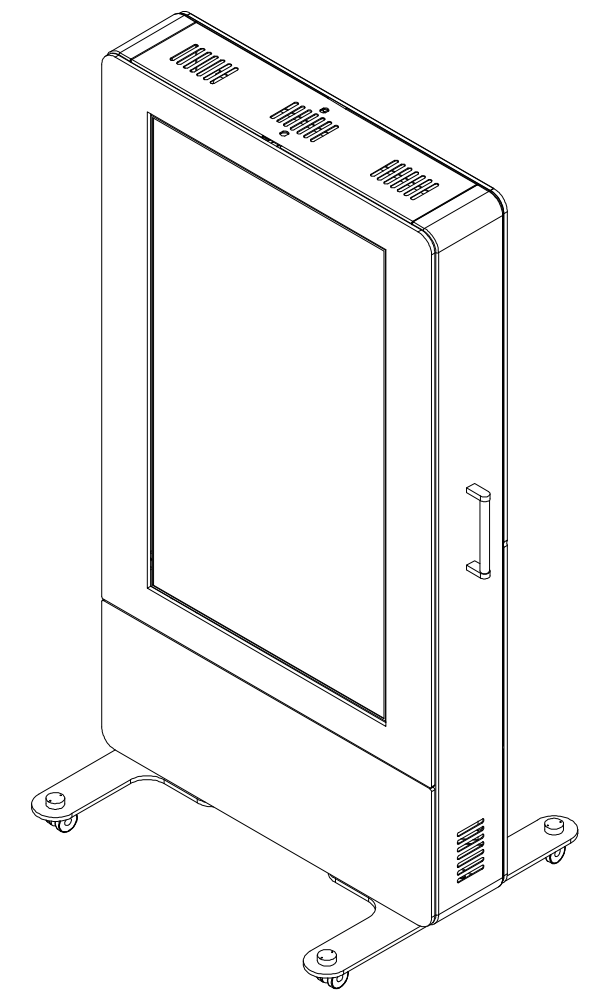
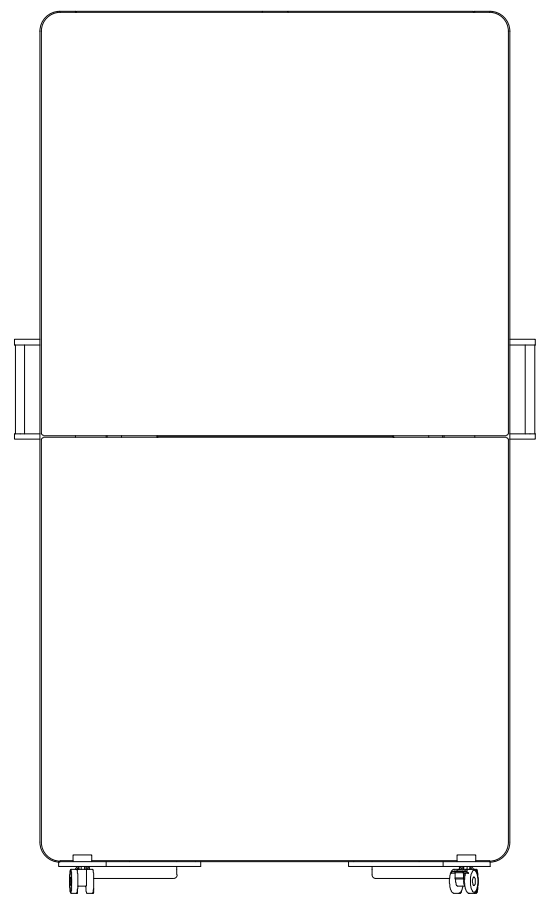
C

B



B

NB: 2nd screen option available



A

A

				Notes: General Tolerance ± 0.2 Angular Tolerance ± 0.5 Hole Position ± 0.2 Unless otherwise stated all dimensions are in millimetres Remove all sharp edges to BS308: 1984 Parts 1, 2 and 3.	DO NOT SCALE IF IN DOUBT ASK	Material: -		Drawing Title: WAYFINDER
						Finish: -		
						Drawn: S.Hack	Approved: -	
						Checked: -	Scale: 1 / 16	
								Drawing No.: -
								Sheet 2 of 2

6 5 4 3 2 1