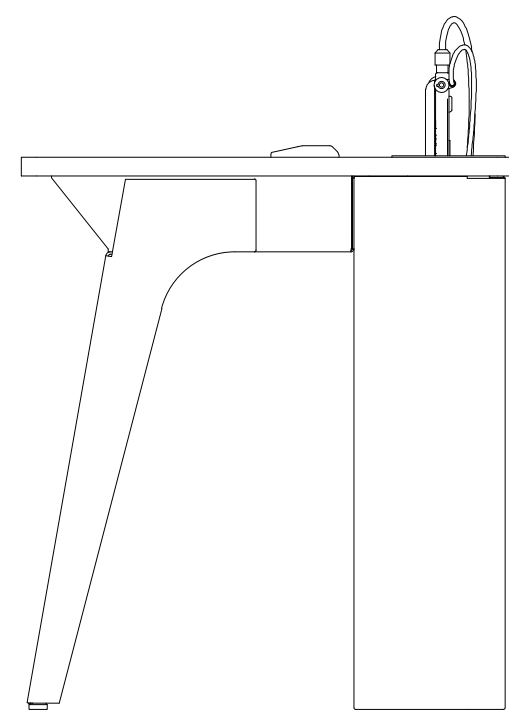
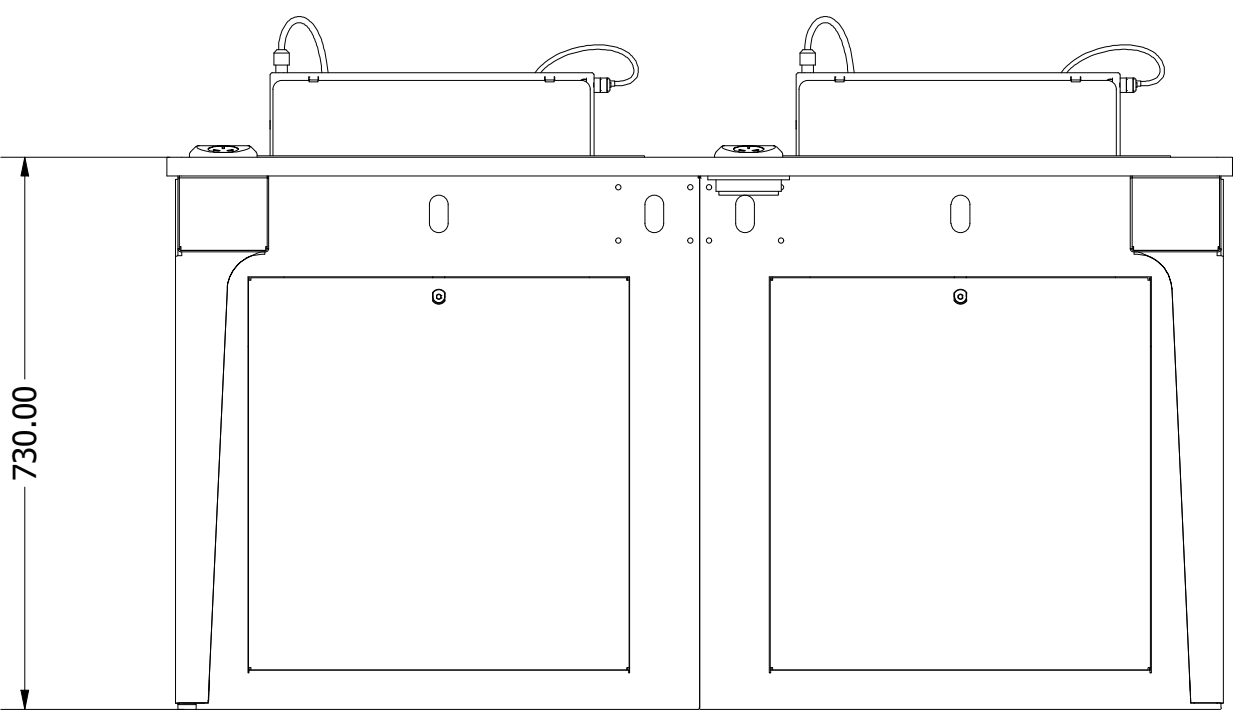


700x490mm workspace per user

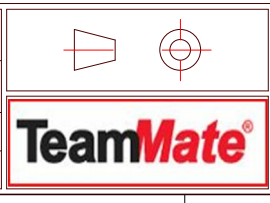


Rev	Description	Date	Name
A	Issued for manufacture	17/03/22	N.Allen

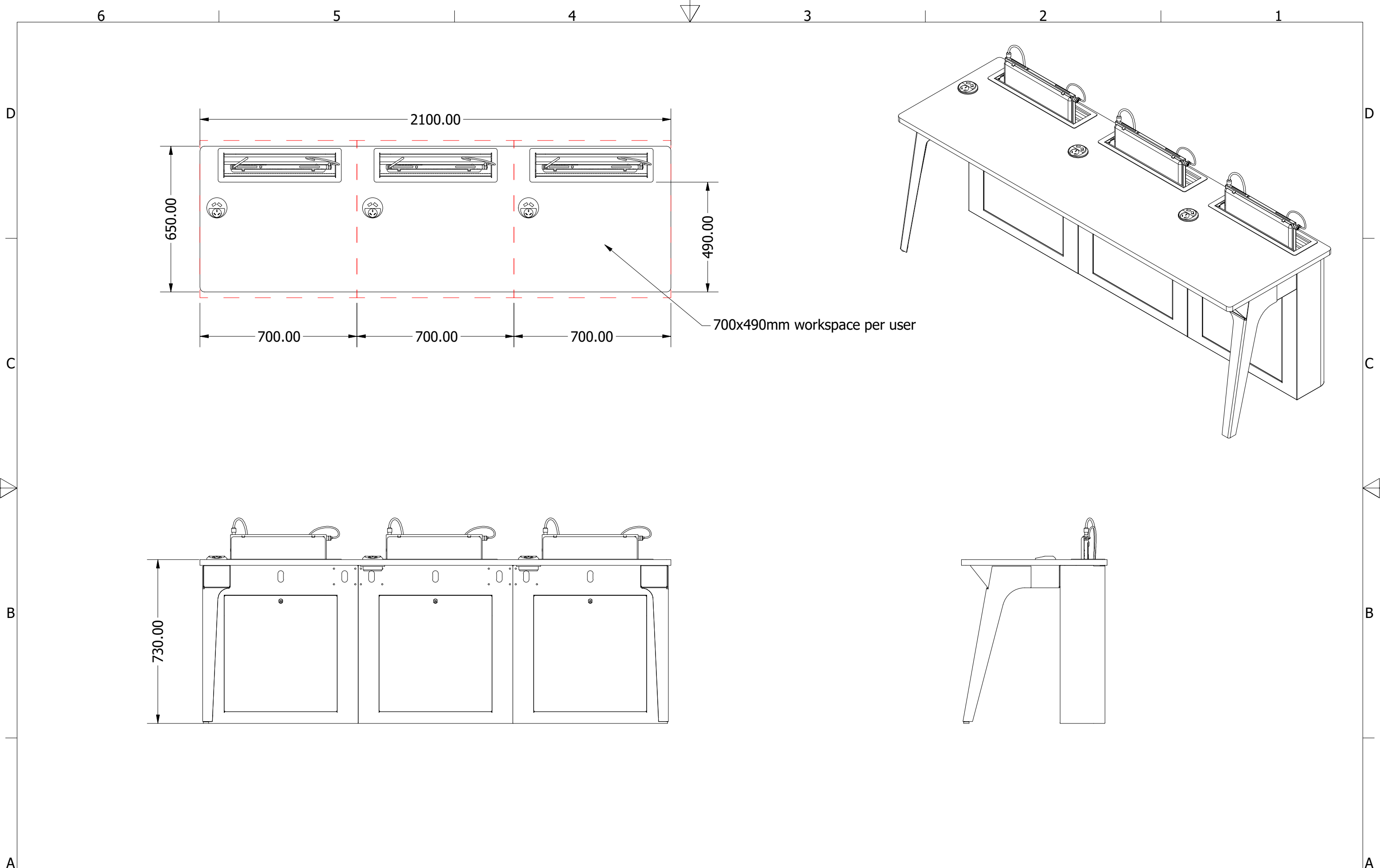
Notes:
 General Tolerance ± 0.2
 Angular Tolerance ± 0.5
 Hole Position ± 0.2
 Unless otherwise stated all dimensions are in millimetres
 Remove all sharp edges to BS308: 1984 Parts 1,2 and 3.

DO NOT SCALE IF IN DOUBT ASK
 THIS DRAWING IS THE PROPERTY OF PERFORMANCE ENCLOSURES LIMITED AND THE INFORMATION CONTAINED HEREIN IS CONFIDENTIAL. THE DRAWING MAY NOT BE COPIED, USED OR DISCLOSED EXCEPT WITH WRITTEN PERMISSION OF AND IN THE MANNER PERMITTED BY THE PROPRIETORS.

Material:	-
Finish:	-
Drawn:	N.Allen
Checked:	-
Approved:	-
Scale:	1/10

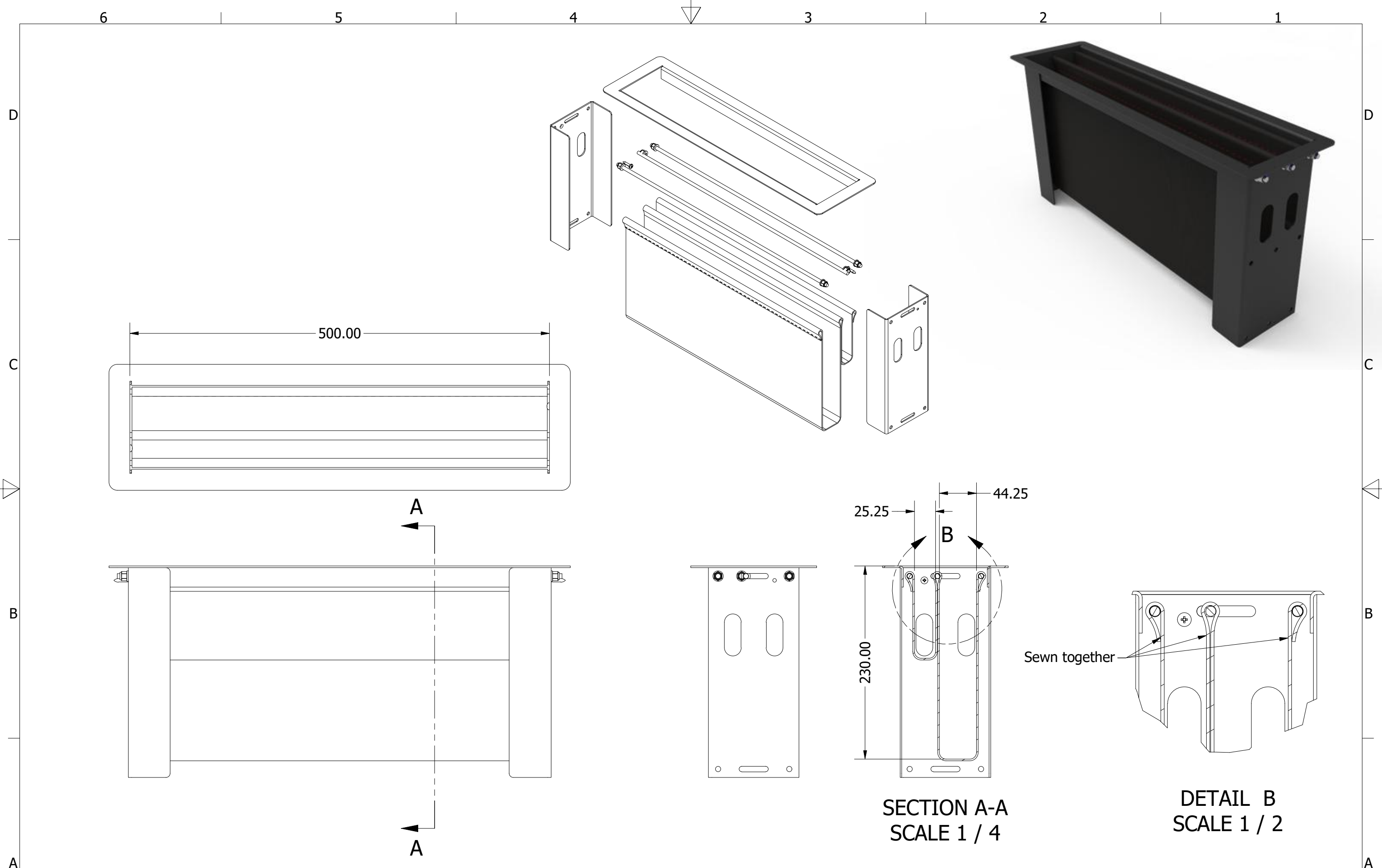


Drawing Title:	Laptop Cubby Desk Double
Drawing No.:	-
Sheet	1 of 1



				Notes: General Tolerance ± 0.2 Angular Tolerance ± 0.5 Hole Position ± 0.2 Unless otherwise stated all dimensions are in millimetres Remove all sharp edges to BS308: 1984 Parts 1, 2 and 3.	DO NOT SCALE IF IN DOUBT ASK THIS DRAWING IS THE PROPERTY OF PERFORMANCE ENCLOSURES LIMITED AND THE INFORMATION CONTAINED HEREIN IS CONFIDENTIAL. THE DRAWING MAY NOT BE COPIED, USED OR DISCLOSED EXCEPT WITH WRITTEN PERMISSION OF AND IN THE MANNER PERMITTED BY THE PROPRIETORS.	Material: -			Drawing Title: Laptop Cubby Desk Triple	
						Finish: -			Drawing No.: -	
						Drawn: N.Allen	Approved: -			Sheet 1 of 1
						Checked: -	Scale: 1/15			

Rev	Description	Date	Name
A	Issued for manufacture	17/03/22	N.Allen

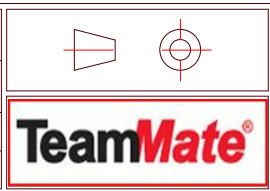


Rev	Description	Date	Name
-	-	-	-
A	Issued for manufacture	17/04/18	S.Hack

Notes:
 General Tolerance ± 0.2
 Angular Tolerance ± 0.5
 Hole Position ± 0.2
 Unless otherwise stated all dimensions are in millimetres
 Remove all sharp edges to BS308: 1984 Parts 1,2 and 3.

DO NOT SCALE IF IN DOUBT ASK
 THIS DRAWING IS THE PROPERTY OF PERFORMANCE ENCLOSURES LIMITED AND THE INFORMATION CONTAINED HEREIN IS CONFIDENTIAL. THE DRAWING MAY NOT BE COPIED, USED OR DISCLOSED EXCEPT WITH WRITTEN PERMISSION OF AND IN THE MANNER PERMITTED BY THE PROPRIETORS.

Material:	-
Finish:	-
Drawn:	S.Hack
Checked:	-
Approved:	-
Scale:	1 / 4



Drawing Title:	Laptop Cubby - Rods
Drawing No.:	-
Sheet	1 of 1