

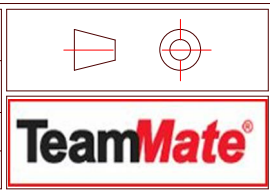
Rev	Description	Date	Name
-	-	-	-
A	Issued for manufacture	12/07/19	N.Allen

Notes:
 General Tolerance ± 0.2
 Angular Tolerance ± 0.5
 Hole Position ± 0.2
 Unless otherwise stated all dimensions are in millimetres
 Remove all sharp edges to BS308: 1984 Parts 1,2 and 3.

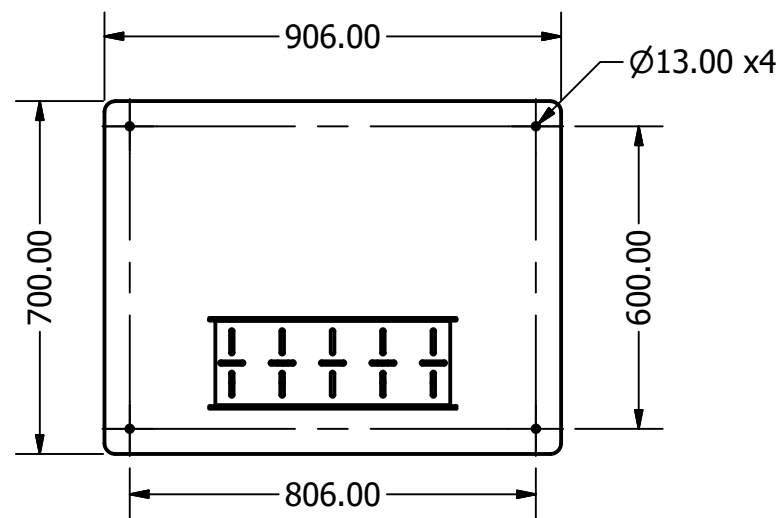
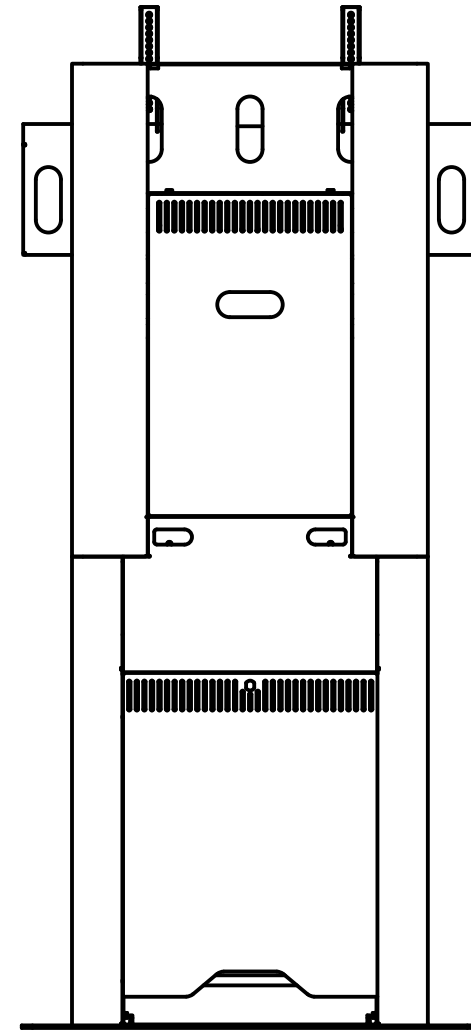
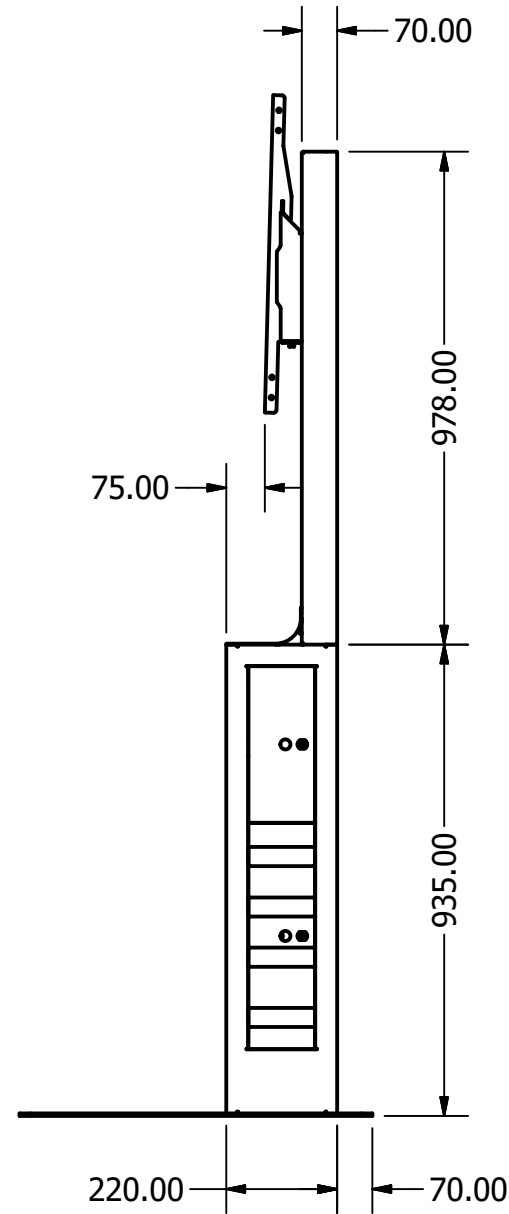
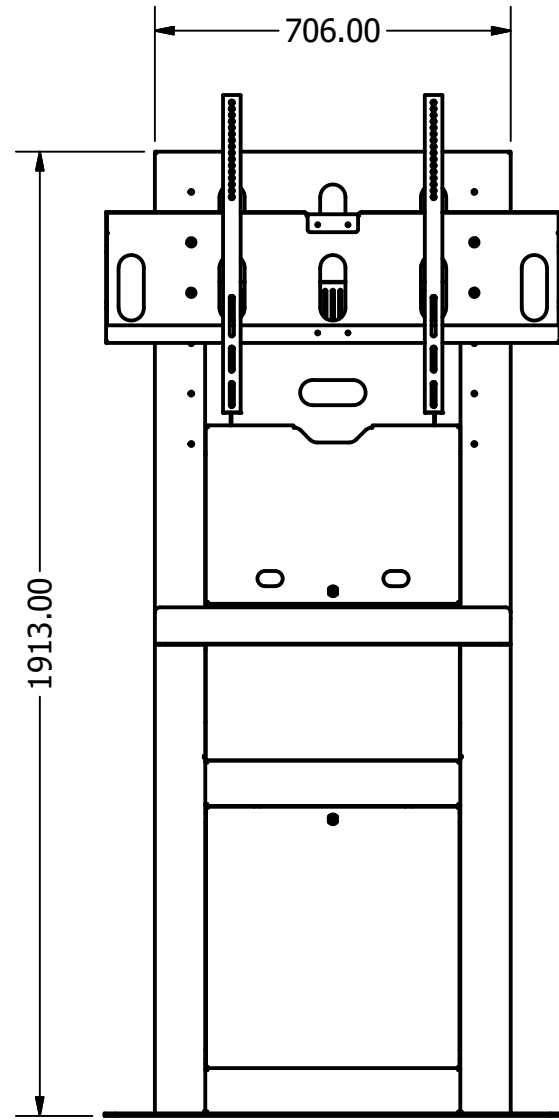
DO NOT SCALE IF IN DOUBT ASK

THIS DRAWING IS THE PROPERTY OF PERFORMANCE ENCLOSURES LIMITED AND THE INFORMATION CONTAINED HEREIN IS CONFIDENTIAL. THE DRAWING MAY NOT BE COPIED, USED OR DISCLOSED EXCEPT WITH WRITTEN PERMISSION OF AND IN THE MANNER PERMITTED BY THE PROPRIETORS.

Material:	-
Finish:	-
Drawn:	N.Allen
Checked:	-
Approved:	-
Scale:	1/12



Drawing Title:	Totem SBS Tech Spec
Drawing No.:	-
Sheet	1 of 1



Rev	Description	Date	Name
-	-	-	-
A	Issued for manufacture	09/06/21	S.Hack

Notes:
 General Tolerance ± 0.2
 Angular Tolerance ± 0.5
 Hole Position ± 0.2
 Unless otherwise stated all dimensions are in millimetres
 Remove all sharp edges to BS308: 1984 Parts 1,2 and 3.

DO NOT SCALE IF IN DOUBT ASK

THIS DRAWING IS THE PROPERTY OF PERFORMANCE ENCLOSURES LIMITED AND THE INFORMATION CONTAINED HEREIN IS CONFIDENTIAL. THE DRAWING MAY NOT BE COPIED, USED OR DISCLOSED EXCEPT WITH WRITTEN PERMISSION OF AND IN THE MANNER PERMITTED BY THE PROPRIETORS.

Material:	-
Finish:	-
Drawn:	S.Hack
Checked:	-
Approved:	-
Scale:	1 / 15



Drawing Title:	Totem SBS + Freestand Plate
Drawing No.:	-
Sheet	1 of 1