



TeamMate makes life simple: with a range of truly innovative furniture solutions to suit any application. Aesthetically pleasing, modular and practical, TeamMate products are designed to stand the test of time.

Mobi Screen Stand (Standard)

MODEL: MOBISTD

Low cost, mobile and contemporary electronically height adjustable screen stand for lightweight displays

Features & Benefits

- >> Electronic height adjustment
- >> Fits through standard doorways
- >> Mobile with lock-down castors
- >> Equality act compliant for wheelchair access
- >> Low cost screen stand
- >> Max lifting weight 95kg
- >> Simple cable management
- >> Upper compartment with power block
- >> Includes cut-out grab handles for manoeuvring around office/ workspace
- >> Finished in white powdercoat paint
- >> VESA mounting bars easy to remove and secured in place
- >> 3 year return to base warranty



Overview

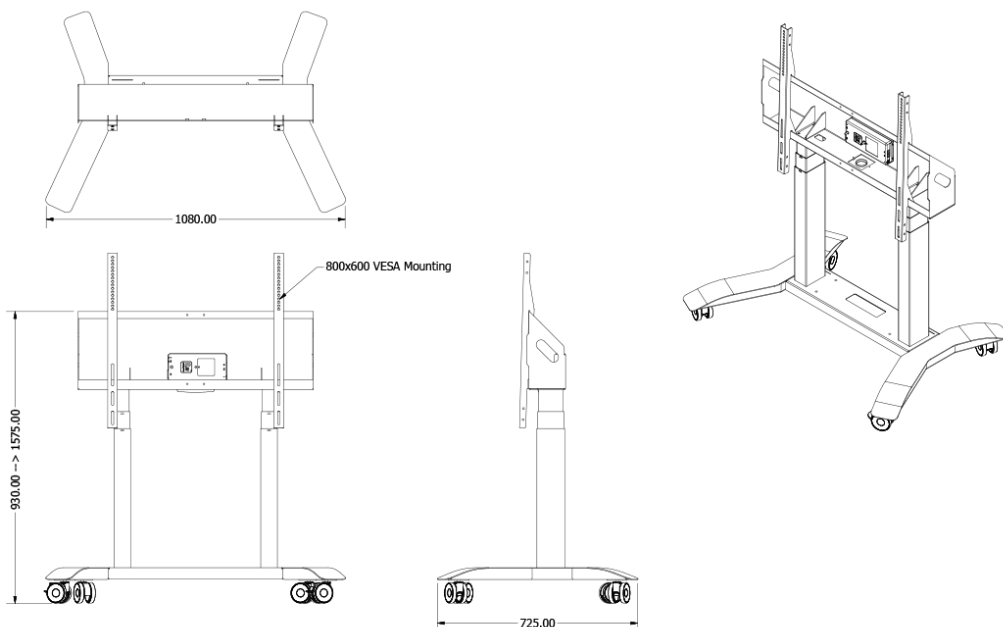
Mobi is a contemporary looking, low-cost screen stand for displays up to 80" in size and 95kg in weight.

Its compact design enables Mobi to be manoeuvred between spaces with ease and it has an upper compartment to store a power block if necessary.

The ergonomic design of Mobi allows for use between various spaces, allowing you to collaborate and take the meeting with you.

Mobi Screen Stand technical specifications:

- >> 4 mobile locking castors
- >> Upper level enclosure for an cable management and power block
- >> Dual lifting actuators electrically operated. Maximum lifting weight (including screen) 95kg and 80"
- >> Height adjustment range of 930 - 1575mm
- >> Internal 4 way IEC block
- >> VESA mounting pattern: 800x600mm
- >> Screen not included



Headquarters

TeamMate

EMEA

7 Rockfort Industrial Estate
Hithercroft Road
Wallingford, Oxfordshire
OX10 9DA
United Kingdom

T: +44 (0) 1491 825739

F: +44 (0) 1491 838568

E: info@teammateworld.com

W: www.teammateworld.com

Date of issue March 2020 v1.1

These specifications are subject to change.
E&OE.

TeamMate is a registered trademark of
Performance Enclosures Ltd.



TeamMate makes life simple: with a range of truly innovative furniture solutions to suit any application. Aesthetically pleasing, modular and practical, TeamMate products are designed to stand the test of time.

Mobi Screen Stand (Pro)

MODEL: MOBIPRO

Low cost, mobile and contemporary electronically height adjustable screen stand for lightweight displays

Features & Benefits

- >> Electronic height adjustment
- >> Fits through standard doorways
- >> Mobile with lock-down castors
- >> Equality act compliant for wheelchair access
- >> Low cost screen stand
- >> Max lifting weight 95kg
- >> Simple cable management
- >> Upper compartment with power block
- >> Lower compartment for cable management
- >> Cable management cable snake included
- >> Includes cut-out grab handles for manoeuvring around office/ workspace
- >> Finished in white powdercoat paint
- >> VESA mounting bars easy to remove and secured in place
- >> 3 year return to base warranty



Overview

Mobi is a contemporary looking, low-cost screen stand for displays up to 80" in size and 95kg in weight.

Its compact design enables Mobi to be manoeuvred between spaces with ease and it has an upper and lower compartment to store a power block and cable management if necessary.

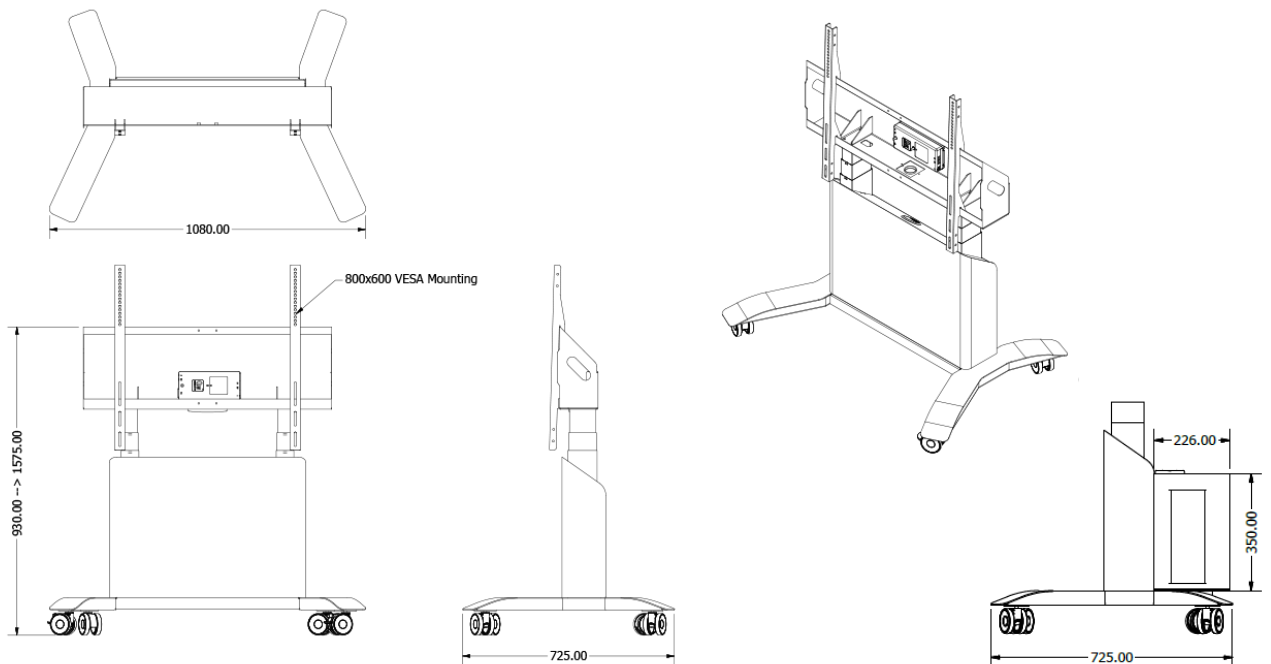
The ergonomic design of Mobi allows for use between various spaces, allowing you to collaborate and take the meeting with you.

Mobi Screen Stand technical specifications:

- >> 4 mobile locking castors
- >> Upper level enclosure for an cable management and power block
- >> Lower level cable compartment
- >> Dual lifting actuators electrically operated. Maximum lifting weight (including screen) 95kg and 80"
- >> Height adjustment range of 930 - 1575mm
- >> Internal 4 way IEC block
- >> VESA mounting pattern: 800x600mm
- >> Screen not included

Optional Extras:

- >> 6U 19" extension module for a total of 360mm deep rack space



Headquarters

TeamMate

EMEA

7 Rockfort Industrial Estate
Hithercroft Road
Wallingford, Oxfordshire
OX10 9DA
United Kingdom

T: +44 (0) 1491 825739

F: +44 (0) 1491 838568

E: info@teammateworld.com

W: www.teammateworld.com

Date of issue March 2020 v1.1

These specifications are subject to change.
E&OE.

TeamMate is a registered trademark of
Performance Enclosures Ltd.



TeamMate makes life simple: with a range of truly innovative furniture solutions to suit any application. Aesthetically pleasing, modular and practical, TeamMate products are designed to stand the test of time.

Mobi Screen Stand (Tilt)

MODEL: MOBILT

Low cost, mobile and contemporary electronically height adjustable screen stand for lightweight displays

Features & Benefits

- >> Electronic height and tilt adjustment
- >> Fits through standard doorways
- >> Mobile with lock-down castors
- >> Equality act compliant for wheelchair access
- >> Low cost screen stand
- >> Max lifting weight 70kg
- >> Simple cable management
- >> Upper compartment with power block
- >> Lower compartment for cable management
- >> Cable management cable snake included
- >> Includes cut-out grab handles for manoeuvring around office/ workspace
- >> Finished in white powdercoat paint
- >> VESA mounting bars easy to remove and secured in place
- >> 3 year return to base warranty



Overview

Mobi is a contemporary looking, electric height and tilt adjusting screen stand for displays up to 80" in size and 70kg in weight.

Its compact design enables Mobi to be manoeuvred between spaces with ease and it has an upper and lower compartment to store a power block and cable management if necessary.

The ergonomic design of Mobi allows for use between various spaces, allowing you to collaborate and take the meeting with you.

Mobi Screen Stand technical specifications:

- >> 4 mobile locking castors
- >> Dual lifting and tilting actuators electrically operated. Maximum lifting weight (including screen) 70kg and 80" in size
- >> Height adjustment range of 855 - 1500mm
- >> VESA mounting pattern: 100x100 - 800x600mm
- >> Upper level enclosure for an cable management and power block
- >> Lower level cable compartment
- >> 90 degrees of tilt
- >> Internal 4 way IEC block
- >> Screen not included

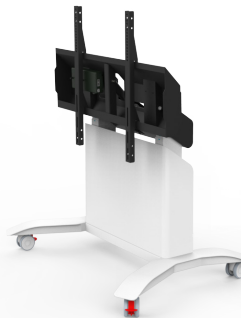


Optional Extras:

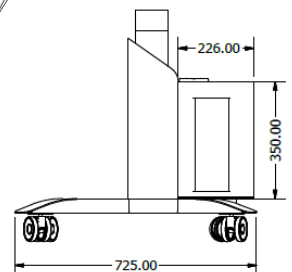
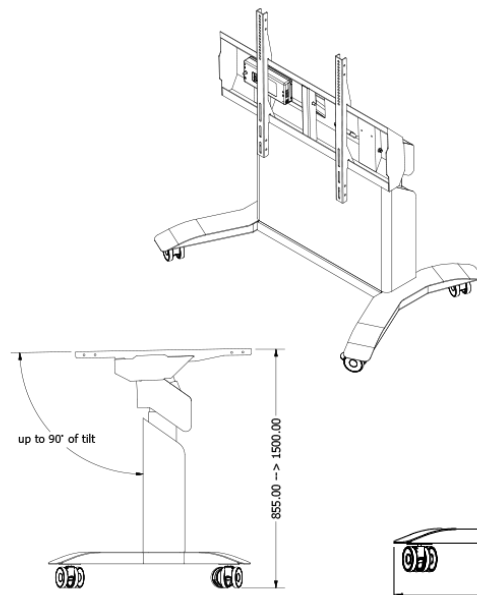
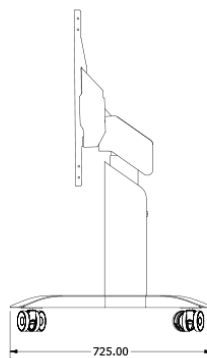
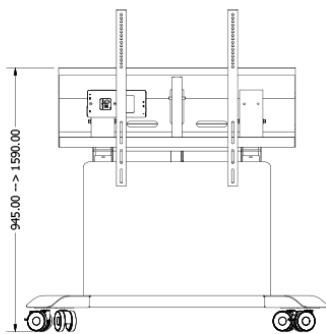
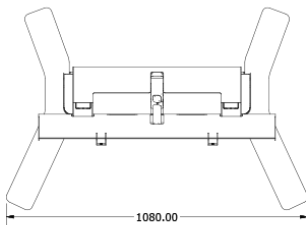
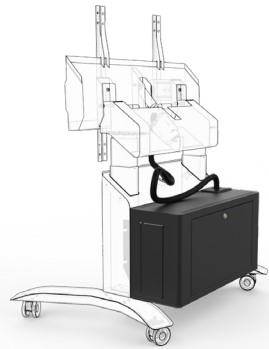
- >> 6U 19" extension module for a total of 360mm deep rack space



Optional extra: Camera mount shelf



Optional extra: 8U 19" rack extension module



Headquarters

TeamMate

EMEA

7 Rockfort Industrial Estate
Hithercroft Road
Wallingford, Oxfordshire
OX10 9DA
United Kingdom

T: +44 (0) 1491 825739

F: +44 (0) 1491 838568

E: info@teammateworld.com

W: www.teammateworld.com

Date of issue March 2020 v1.1

These specifications are subject to change.
E&OE.

TeamMate is a registered trademark of
Performance Enclosures Ltd.