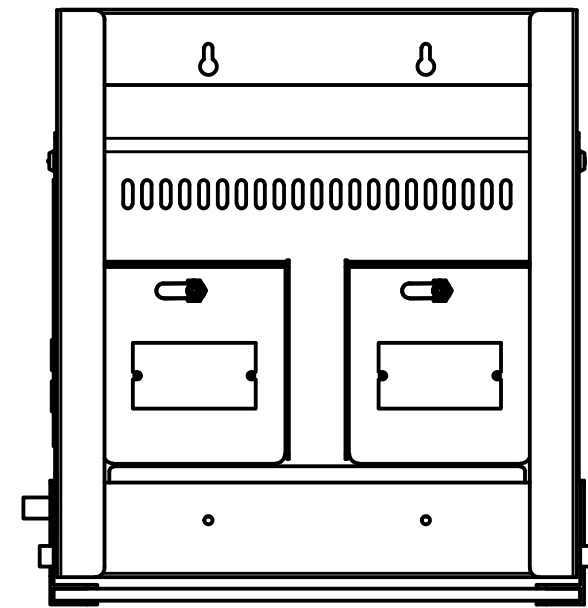
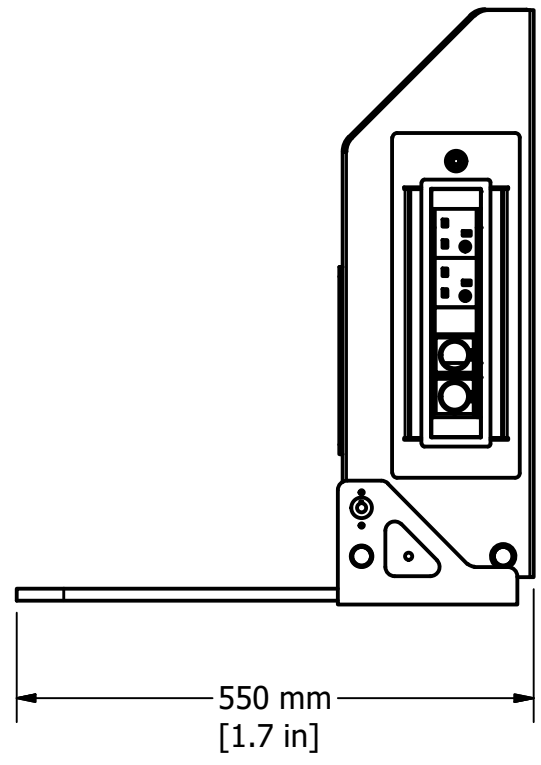
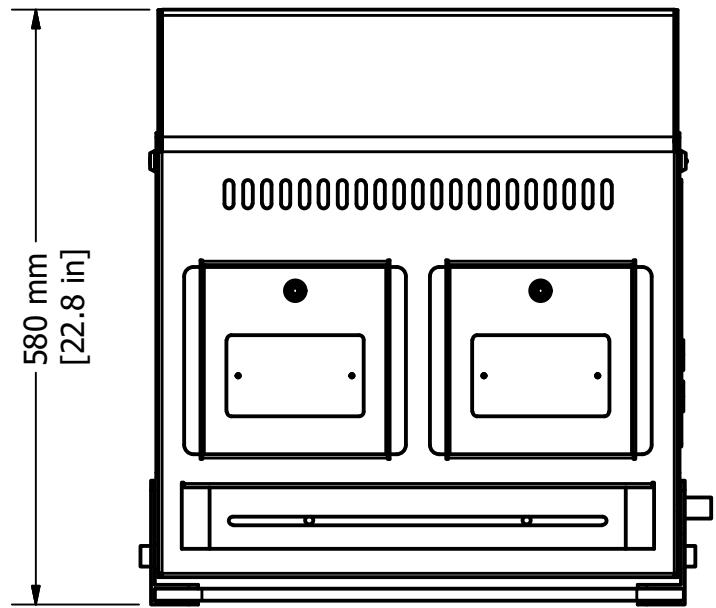
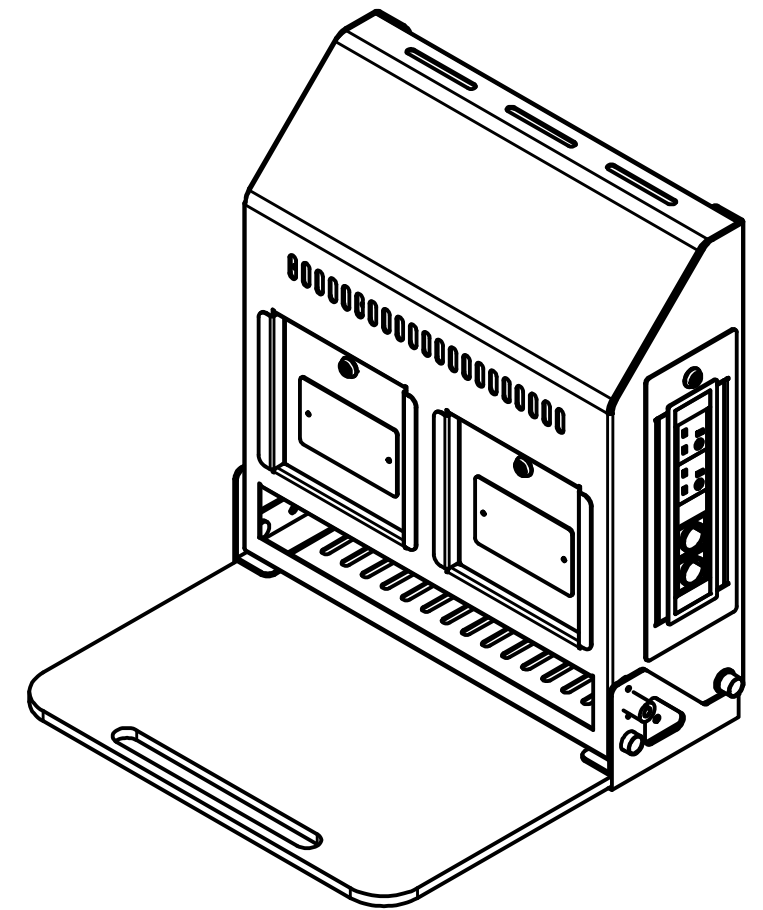
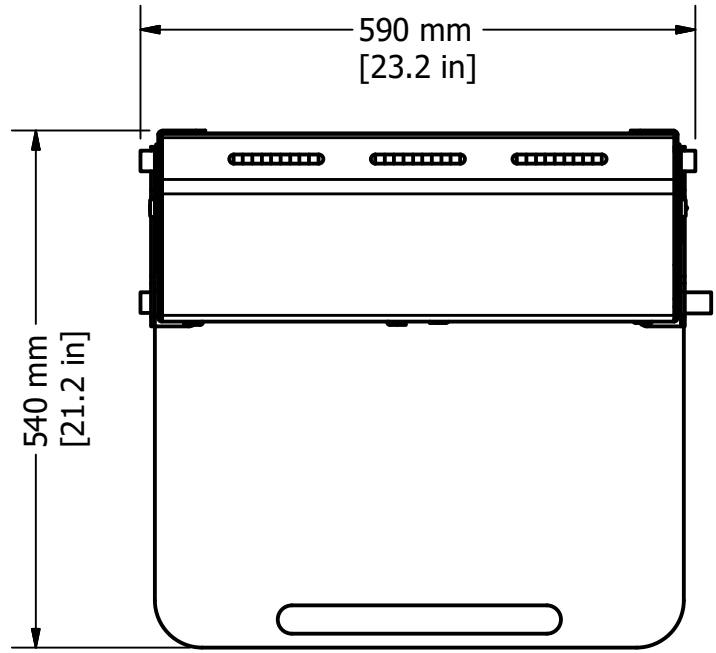


WallZone  
TMWALLZONE



NB: All dimensions are +/- 5mm

Rev	Description	Date
A	Issued for manufacture	30/11/16

Notes:  
General Tolerance  $\pm 0.2$   
Angular Tolerance  $\pm 0.5$   
Hole Position  $\pm 0.2$   
Unless otherwise stated all dimensions are in millimetres  
Remove all sharp edges to BS308: 1984 Parts 1, 2 and 3.

DO NOT SCALE IF IN DOUBT ASK

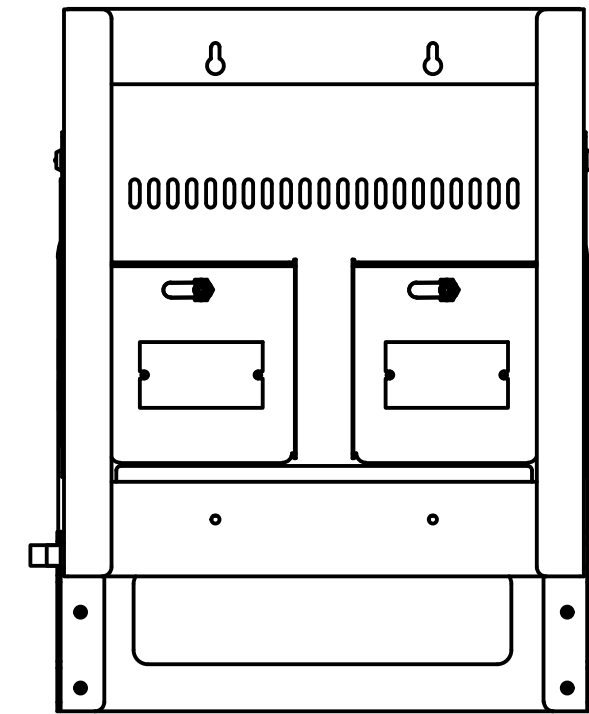
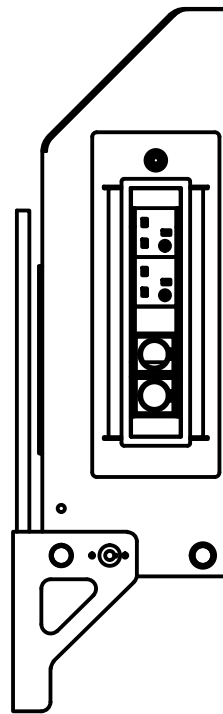
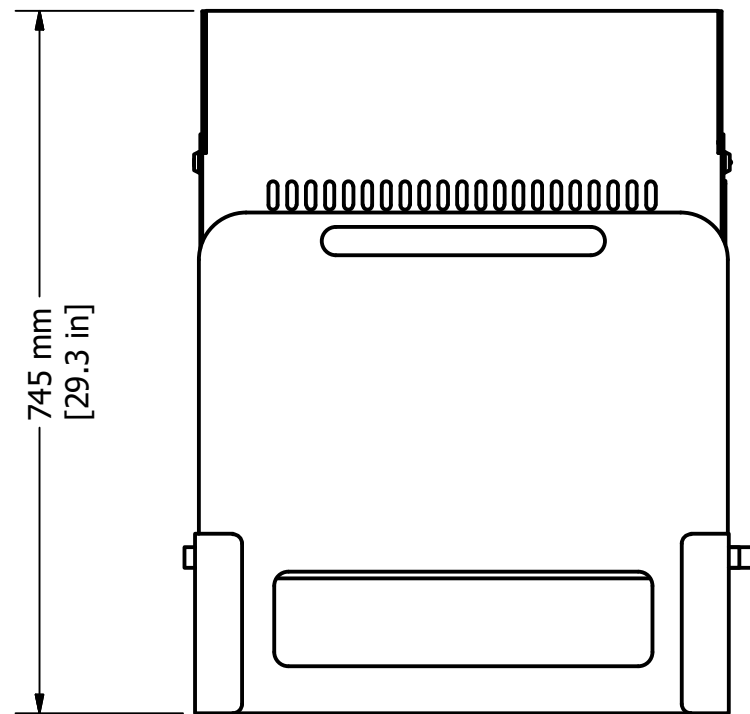
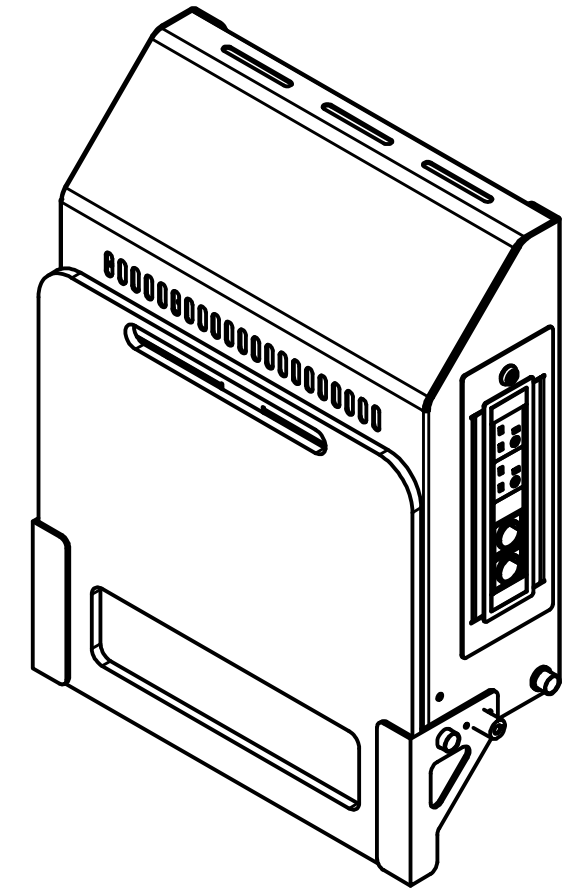
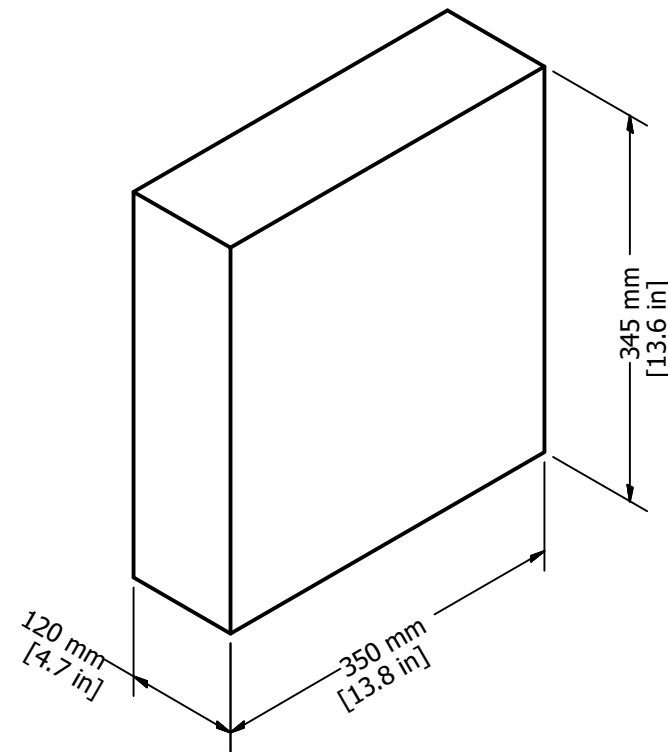
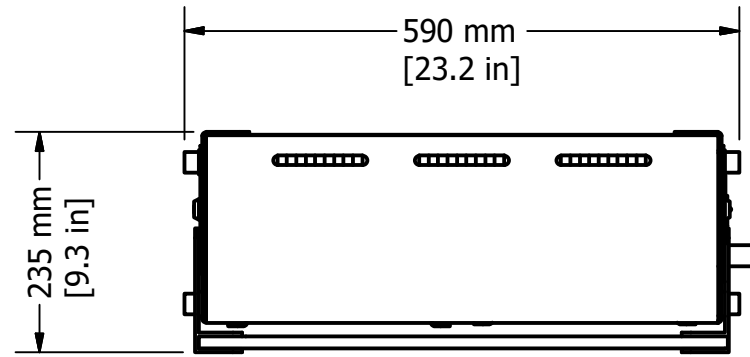
THIS DRAWING IS THE PROPERTY OF PERFORMANCE ENCLOSURES LIMITED AND THE INFORMATION CONTAINED HEREIN IS CONFIDENTIAL. THE DRAWING MAY NOT BE COPIED, USED OR DISCLOSED EXCEPT WITH WRITTEN PERMISSION OF AND IN THE MANNER PERMITTED BY THE PROPRIETORS.

Material:	
Finish:	
Drawn: S.Hack	Approved:
Checked:	Scale:



Drawing Title: WallZone
Drawing No.:
Sheet 1 of 3

WallZone  
TMWALLZONE



NB: All dimensions are +/- 5mm

Rev	Description	Date
A	Issued for manufacture	30/11/16

Notes:  
General Tolerance  $\pm 0.2$   
Angular Tolerance  $\pm 0.5$   
Hole Position  $\pm 0.2$   
Unless otherwise stated all dimensions are in millimetres  
Remove all sharp edges to BS308: 1984 Parts 1,2 and 3.

DO NOT SCALE IF IN DOUBT ASK

THIS DRAWING IS THE PROPERTY OF PERFORMANCE ENCLOSURES LIMITED AND THE INFORMATION CONTAINED HEREIN IS CONFIDENTIAL. THE DRAWING MAY NOT BE COPIED, USED OR DISCLOSED EXCEPT WITH WRITTEN PERMISSION OF AND IN THE MANNER PERMITTED BY THE PROPRIETORS.

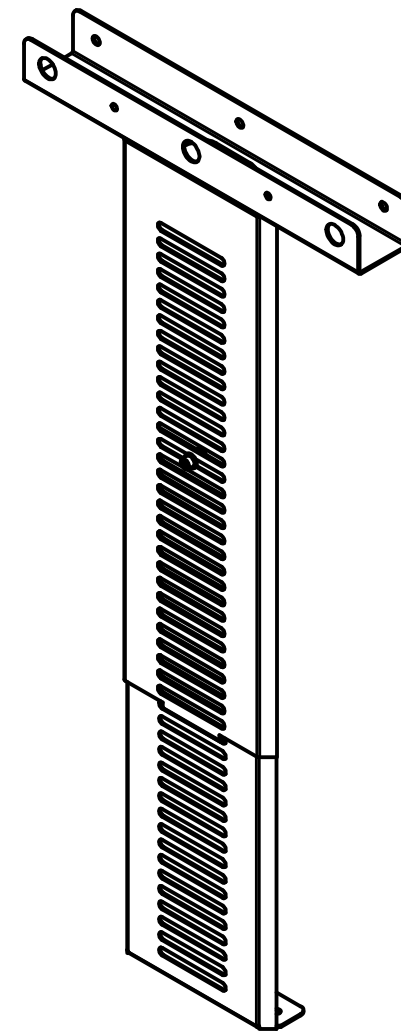
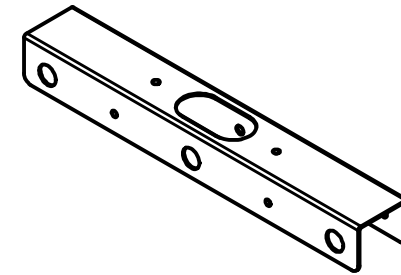
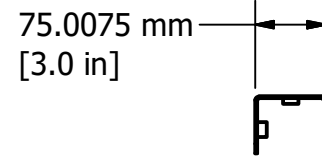
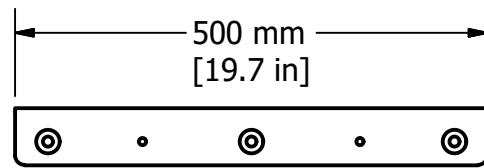
Material:	
Finish:	
Drawn: S.Hack	Approved:
Checked:	Scale:



Drawing Title: WallZone
Drawing No.:
Sheet 2 of 3

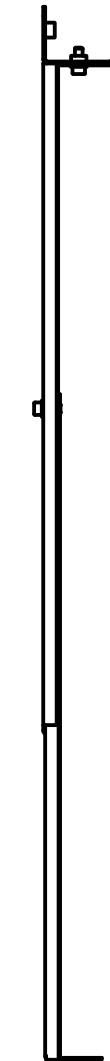
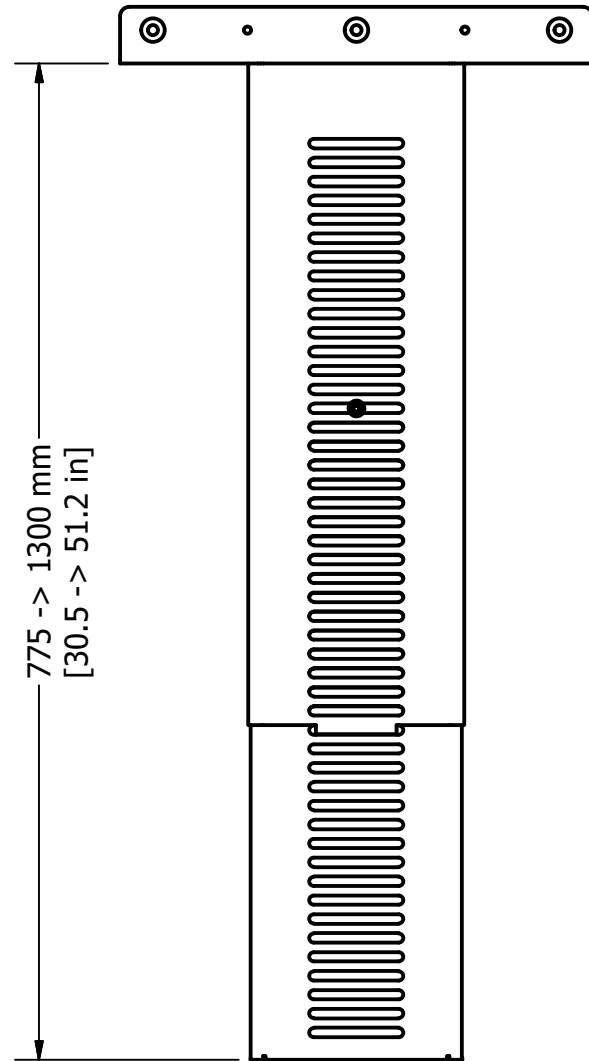
# WallZone 75mm Offset Bracket (Pair)

TMWALLZONE 75OFFSET



# WallZone Floor Stand

TMWALLZONE FLOORSTAND



NB: All dimensions are +/- 5mm

Rev	Description	Date
A	Issued for manufacture	30/11/16

Notes:  
 General Tolerance  $\pm 0.2$   
 Angular Tolerance  $\pm 0.5$   
 Hole Position  $\pm 0.2$   
 Unless otherwise stated all dimensions are in millimetres  
 Remove all sharp edges to BS308: 1984 Parts 1,2 and 3.

DO NOT SCALE IF IN DOUBT ASK

THIS DRAWING IS THE PROPERTY OF PERFORMANCE ENCLOSURES LIMITED AND THE INFORMATION CONTAINED HEREIN IS CONFIDENTIAL. THE DRAWING MAY NOT BE COPIED, USED OR DISCLOSED EXCEPT WITH WRITTEN PERMISSION OF AND IN THE MANNER PERMITTED BY THE PROPRIETORS.

Material:	
Finish:	
Drawn: S.Hack	Approved:
Checked:	Scale:



Drawing Title: WallZone
Drawing No.:
Sheet 3 of 3