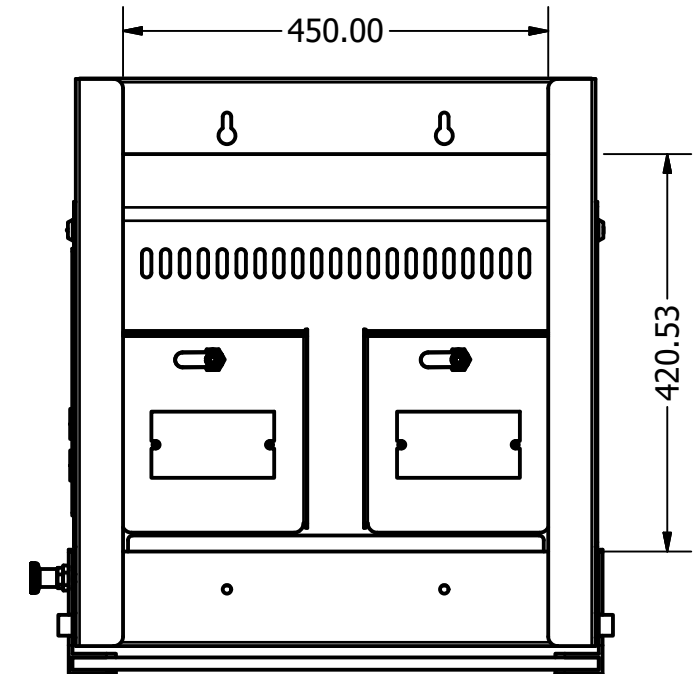
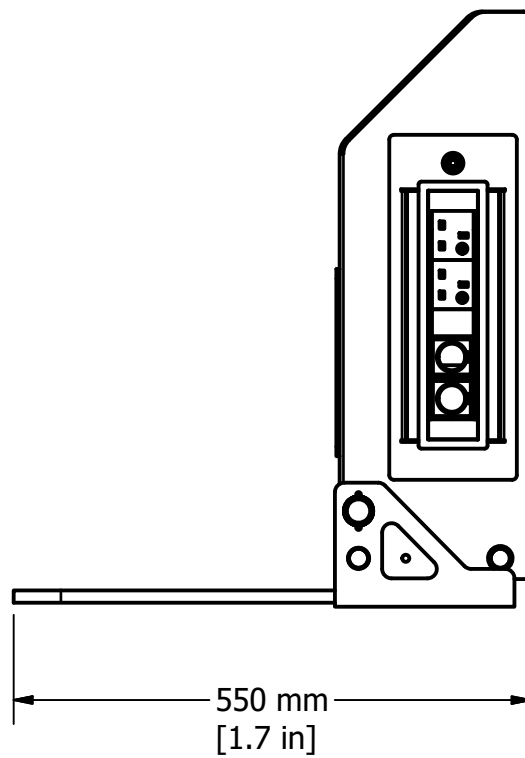
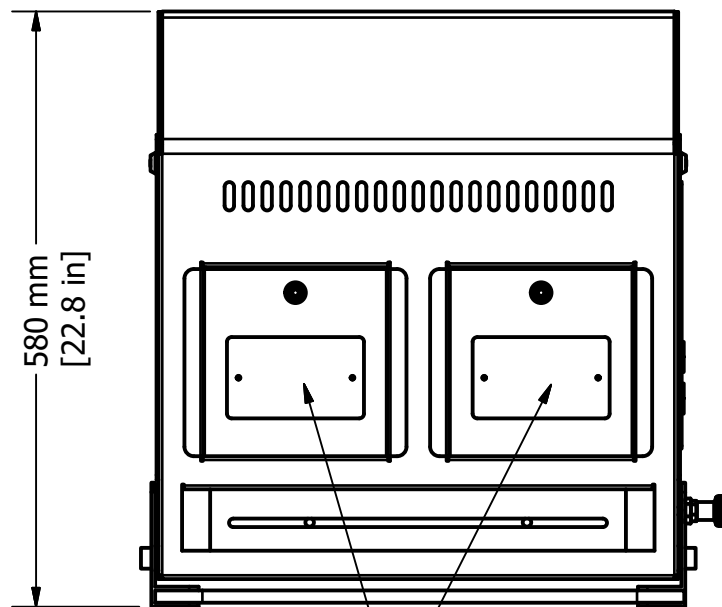
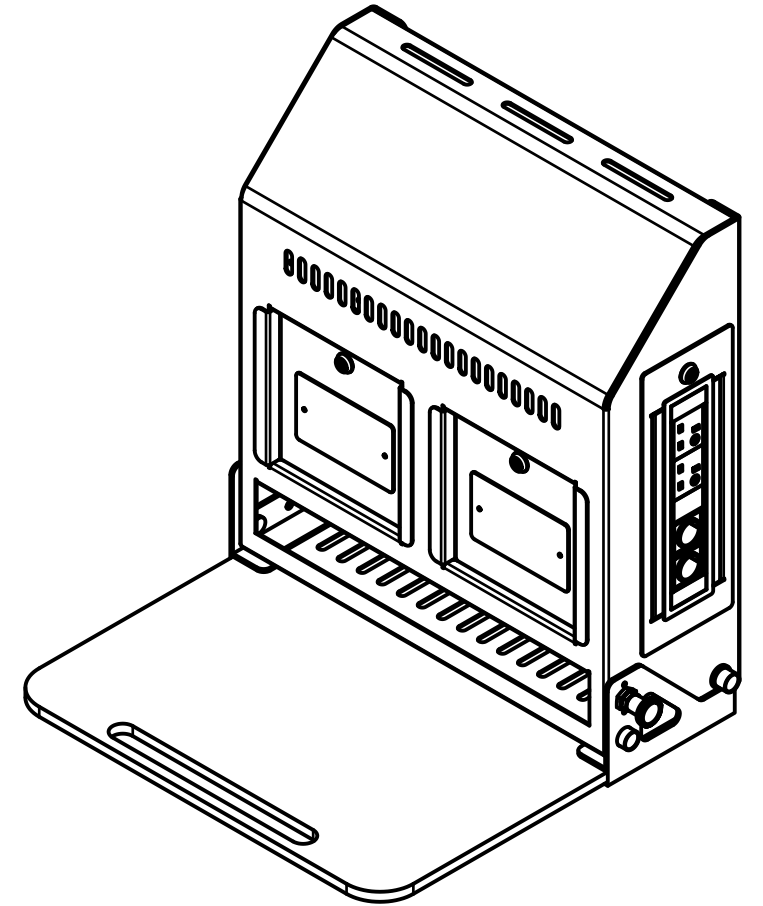
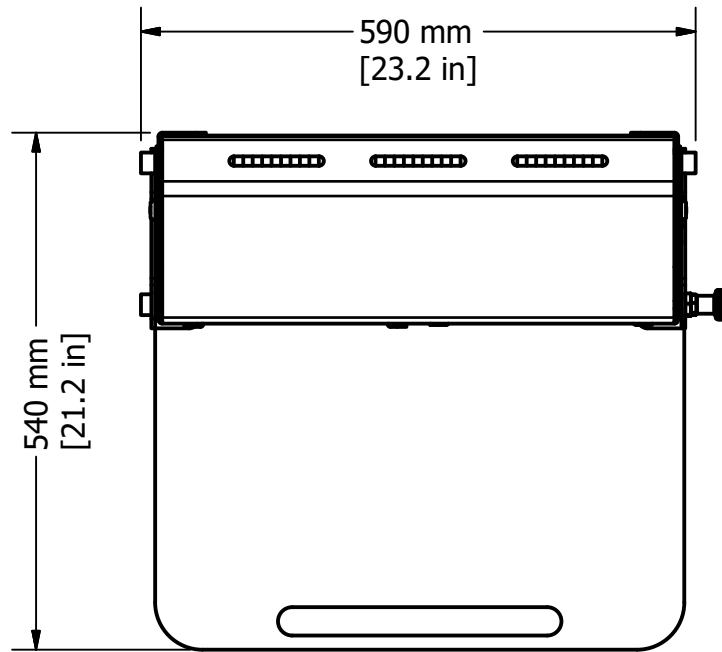


WallZone  
TMWALLZONE



NB: All dimensions are +/- 5mm

Rev	Description	Date
B	Added max panel size	30/11/16
A	Issued for manufacture	30/11/16

Notes:  
General Tolerance  $\pm 0.2$   
Angular Tolerance  $\pm 0.5$   
Hole Position  $\pm 0.2$   
Unless otherwise stated all dimensions are in millimetres  
Remove all sharp edges to BS308: 1984 Parts 1, 2 and 3.

DO NOT SCALE IF IN DOUBT ASK

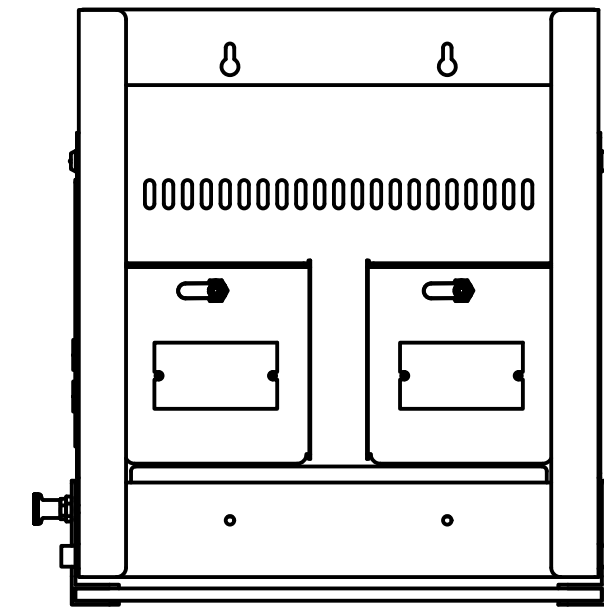
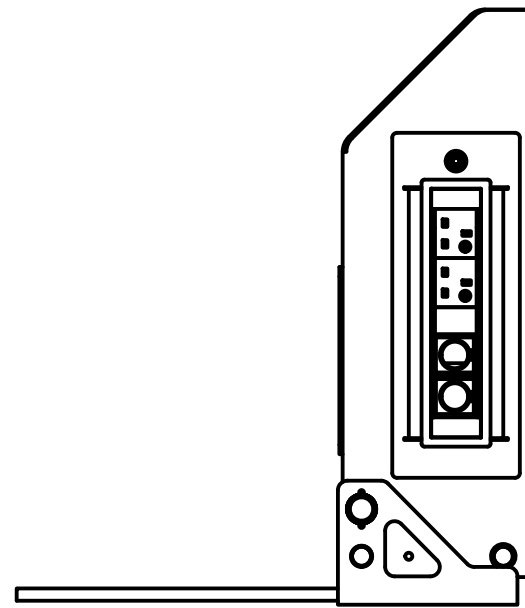
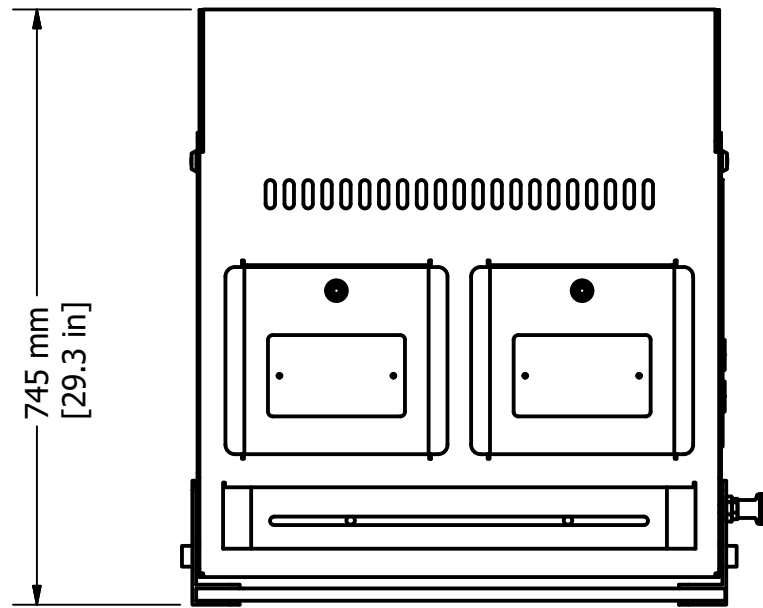
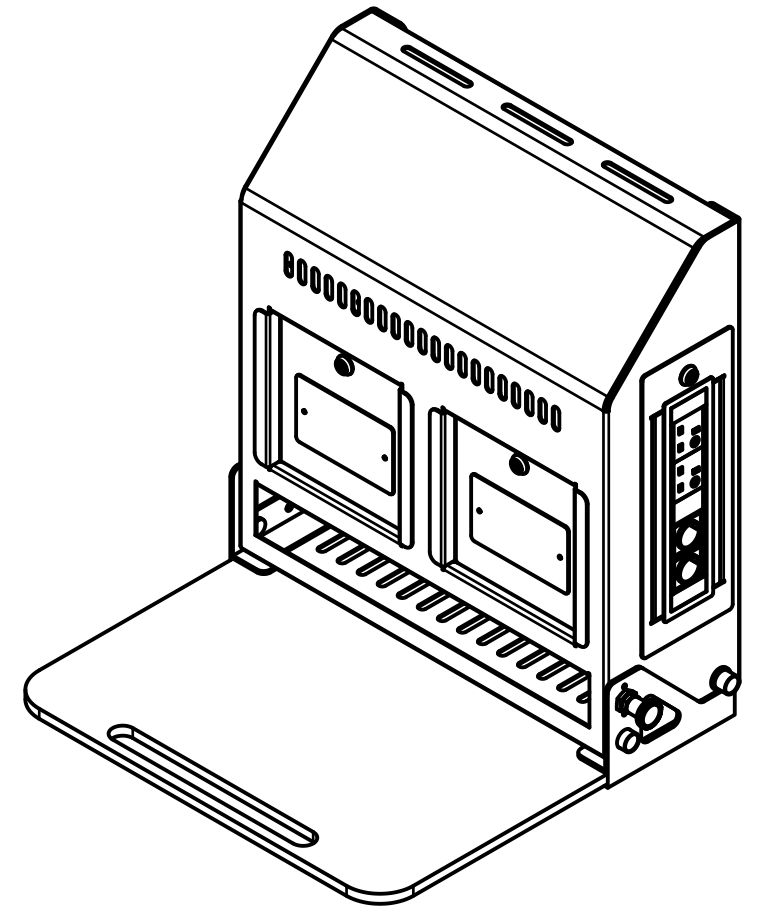
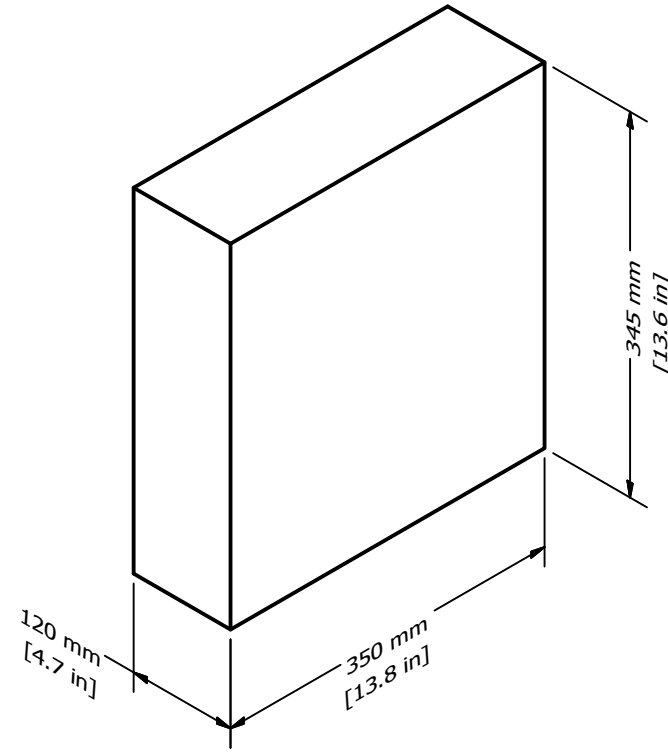
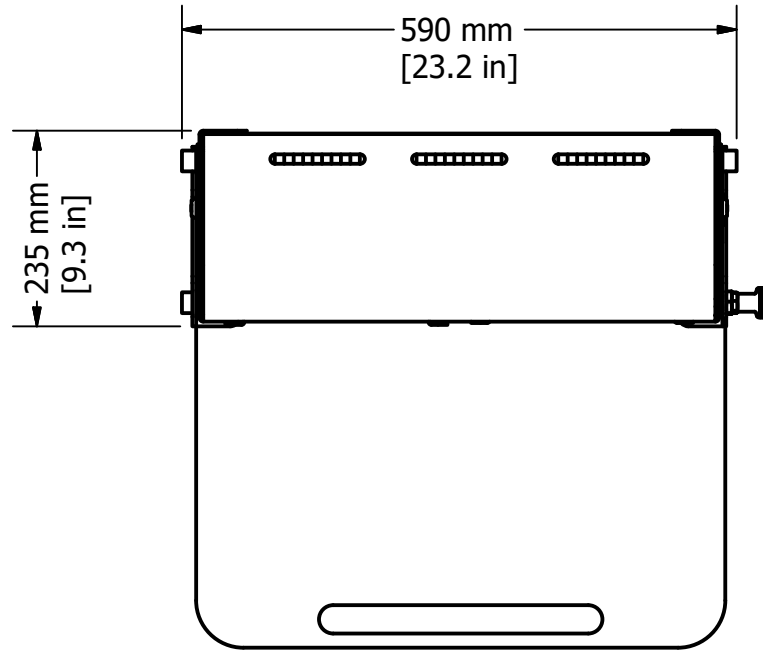
THIS DRAWING IS THE PROPERTY OF PERFORMANCE ENCLOSURES LIMITED AND THE INFORMATION CONTAINED HEREIN IS CONFIDENTIAL. THE DRAWING MAY NOT BE COPIED, USED OR DISCLOSED EXCEPT WITH WRITTEN PERMISSION OF AND IN THE MANNER PERMITTED BY THE PROPRIETORS.

Material:	
Finish:	
Drawn: S.Hack	Approved:
Checked:	Scale:



Drawing Title: WallZone
Drawing No.:
Sheet 1 of 3

WallZone  
TMWALLZONE



NB: All dimensions are +/- 5mm

Rev	Description	Date
B	Added max panel size	30/11/16
A	Issued for manufacture	30/11/16

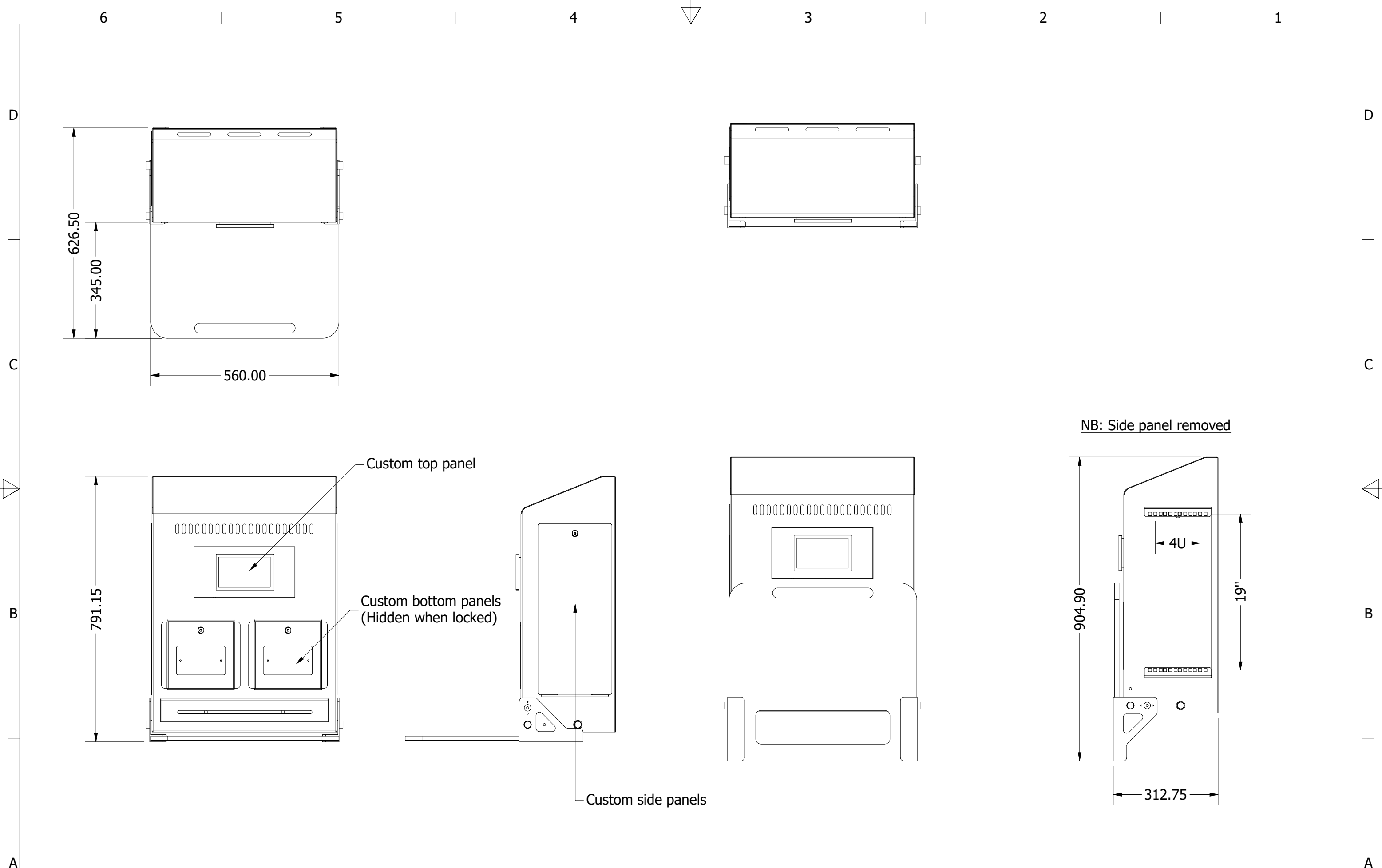
Notes:  
General Tolerance  $\pm 0.2$   
Angular Tolerance  $\pm 0.5$   
Hole Position  $\pm 0.2$   
Unless otherwise stated all dimensions are in millimetres  
Remove all sharp edges to BS308: 1984 Parts 1, 2 and 3.

DO NOT SCALE IF IN DOUBT ASK  
  
THIS DRAWING IS THE PROPERTY OF PERFORMANCE ENCLOSURES LIMITED AND THE INFORMATION CONTAINED HEREIN IS CONFIDENTIAL. THE DRAWING MAY NOT BE COPIED, USED OR DISCLOSED EXCEPT WITH WRITTEN PERMISSION OF AND IN THE MANNER PERMITTED BY THE PROPRIETORS.

Material:	
Finish:	
Drawn: S.Hack	Approved:
Checked:	Scale:



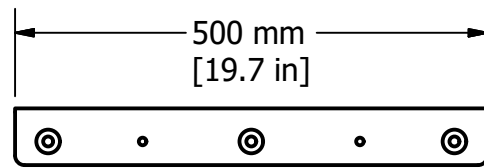
Drawing Title: WallZone
Drawing No.:
Sheet 2 of 3



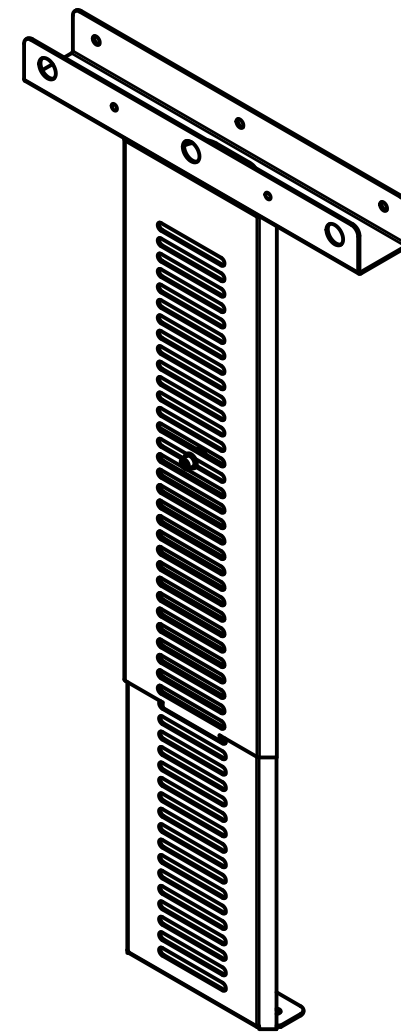
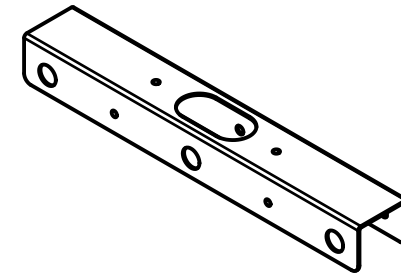
				Notes: General Tolerance $\pm 0.2$ Angular Tolerance $\pm 0.5$ Hole Position $\pm 0.2$ Unless otherwise stated all dimensions are in millimetres Remove all sharp edges to BS308: 1984 Parts 1, 2 and 3.	DO NOT SCALE IF IN DOUBT ASK	Material: -			Drawing Title: WALLZONE XL	
						Finish: -			Drawing No.: -	
						Drawn: S.Hack	Approved: -			
						Checked: -	Scale: 1 / 10			
Rev	Description	Date	Name							Sheet 1 of 1
A	Issued for manufacture	11/07/23	S.Hack							

# WallZone 75mm Offset Bracket (Pair)

TMWALLZONE 75OFFSET

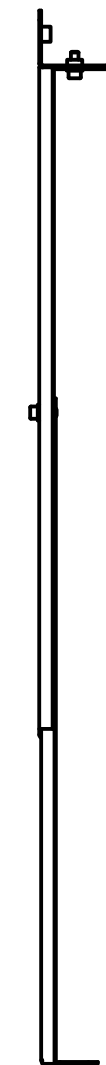
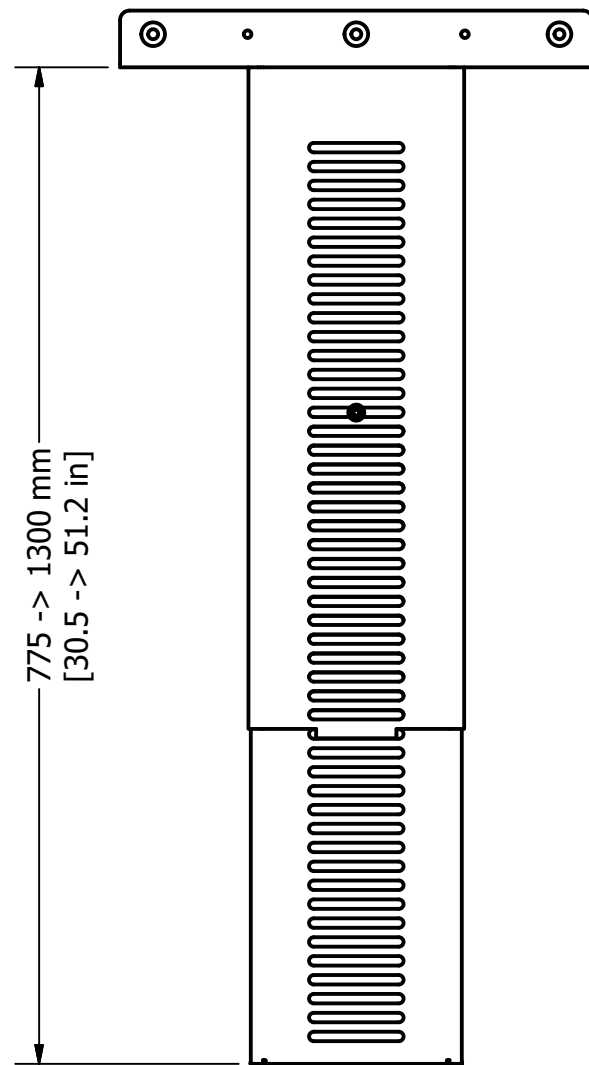


75.0075 mm  
[3.0 in]



# WallZone Floor Stand

TMWALLZONE FLOORSTAND



NB: All dimensions are +/- 5mm

Rev	Description	Date
B	Added max panel size	30/11/16
A	Issued for manufacture	30/11/16

Notes:  
General Tolerance  $\pm 0.2$   
Angular Tolerance  $\pm 0.5$   
Hole Position  $\pm 0.2$   
Unless otherwise stated all dimensions are in millimetres  
Remove all sharp edges to BS308: 1984 Parts 1,2 and 3.

DO NOT SCALE IF IN DOUBT ASK

THIS DRAWING IS THE PROPERTY OF PERFORMANCE ENCLOSURES LIMITED AND THE INFORMATION CONTAINED HEREIN IS CONFIDENTIAL. THE DRAWING MAY NOT BE COPIED, USED OR DISCLOSED EXCEPT WITH WRITTEN PERMISSION OF AND IN THE MANNER PERMITTED BY THE PROPRIETORS.

Material:	
Finish:	
Drawn: S.Hack	Approved:
Checked:	Scale:



Drawing Title: WallZone
Drawing No.:
Sheet 3 of 3