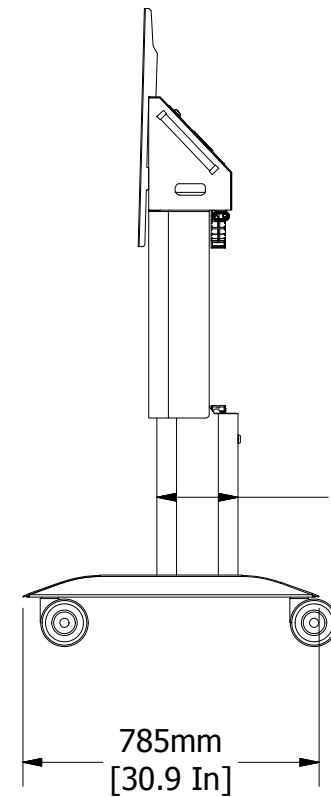
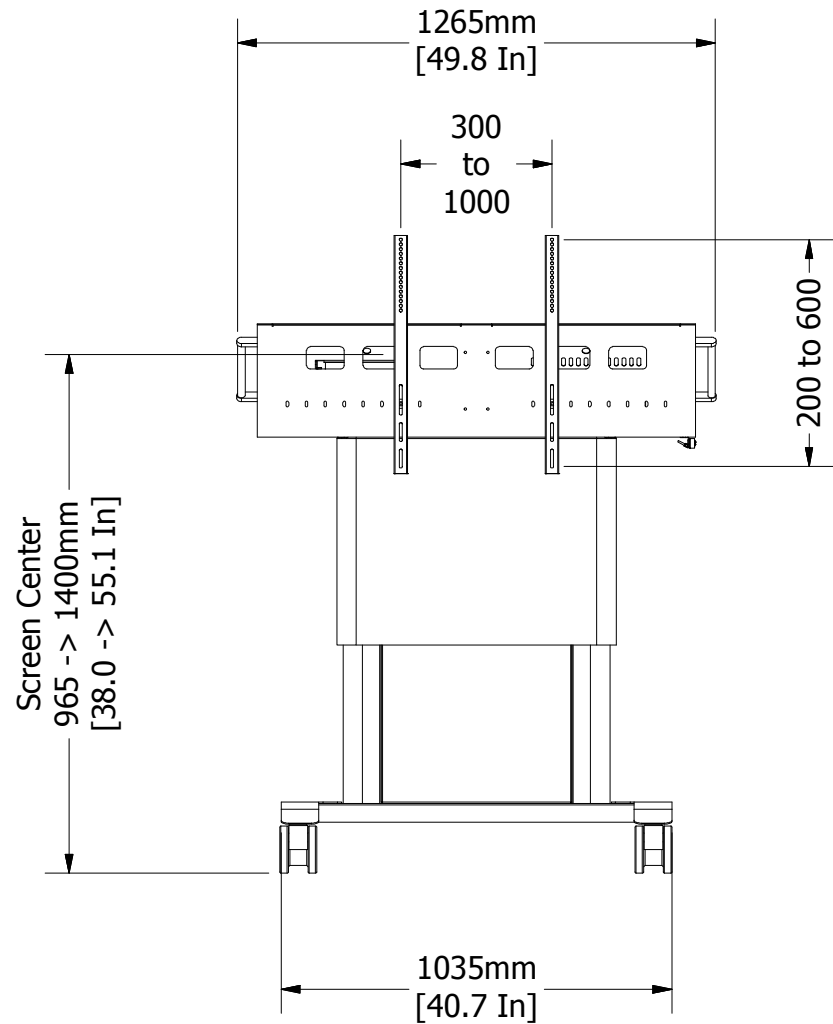
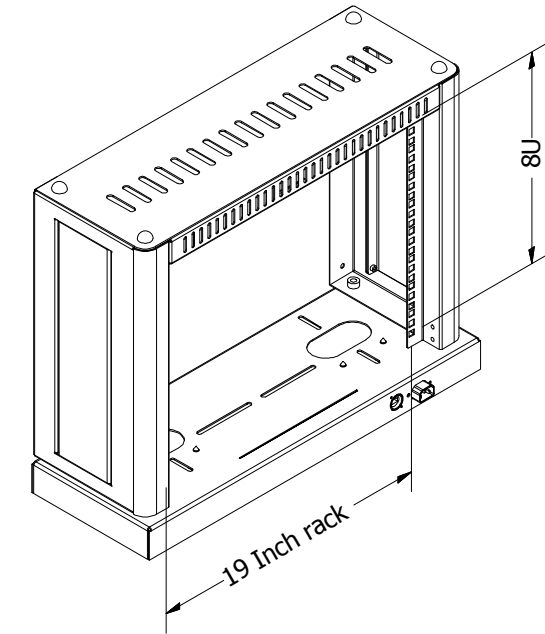
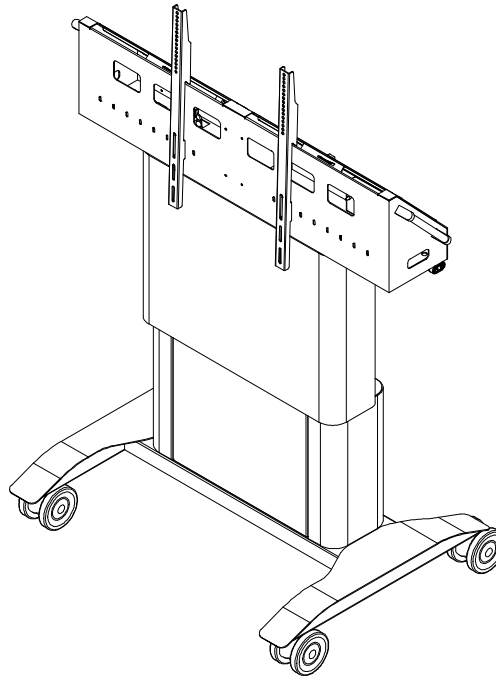
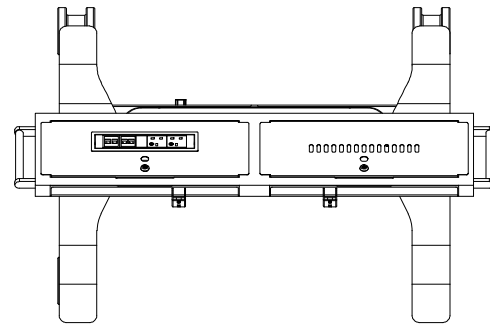
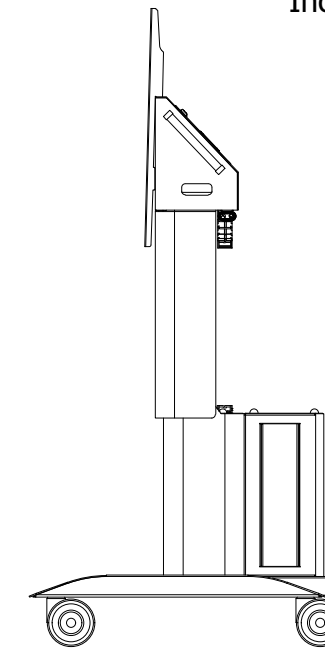


VariHite™ Screen Stand VHSS

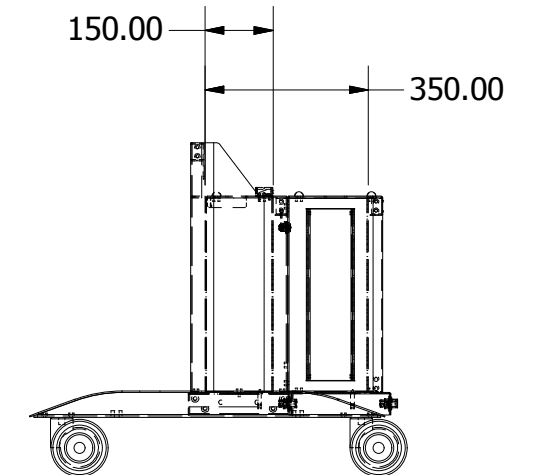
Optional rack extension module



Standard 19 Inch Rack
8U x 150m



Adds side PC Access
Increases rack unit to 8U x 350mm



NB: All dimensions are +/- 5mm

			Notes: General Tolerance ±0.2 Angular Tolerance ±0.5 Hole Position ±0.2 Unless otherwise stated all dimensions are in millimetres Remove all sharp edges to BS308: 1984 Parts 1,2 and 3.	DO NOT SCALE IF IN DOUBT ASK THIS DRAWING IS THE PROPERTY OF PERFORMANCE ENCLOSURES LIMITED AND THE INFORMATION CONTAINED HEREIN IS CONFIDENTIAL. THE DRAWING MAY NOT BE COPIED, USED OR DISCLOSED EXCEPT WITH WRITTEN PERMISSION OF AND IN THE MANNER PERMITTED BY THE PROPRIETORS.	Material: Finish: Drawn: S.Hack Checked:	Approved: Scale: 1 : 20		Drawing Title: VariHite™ Screen Stand Drawing No. Sheet 1 of 1
A	Issued for manufacture	01/08/16						
Rev	Description	Date						