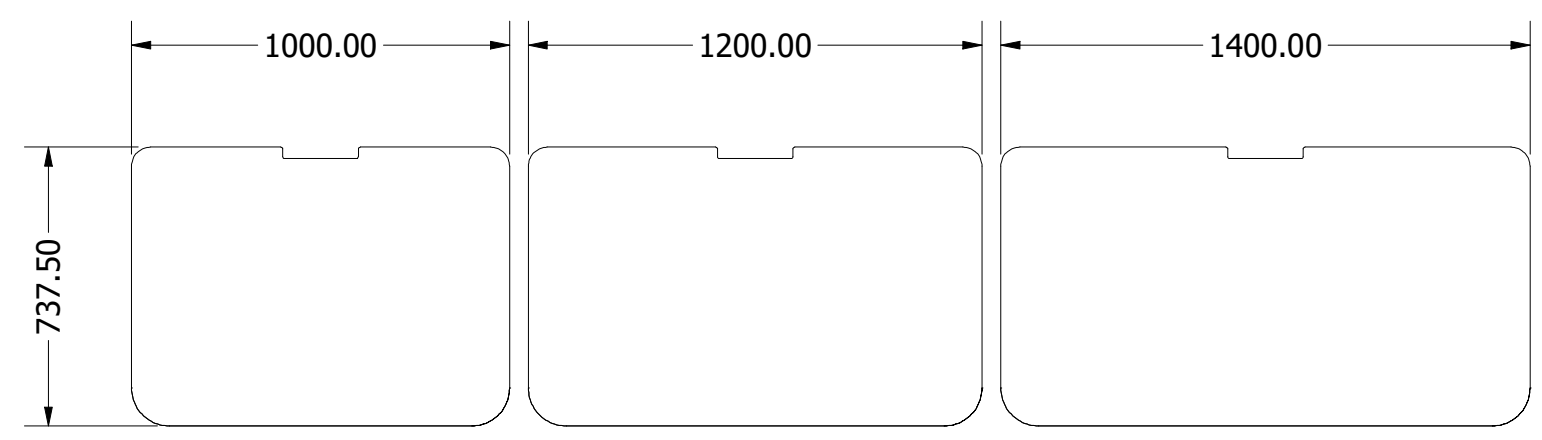
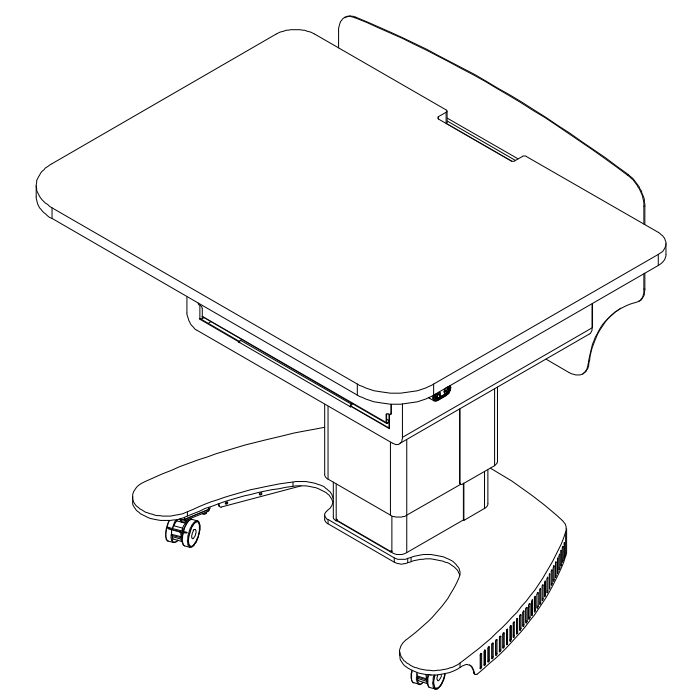


6 5 4 3 2 1

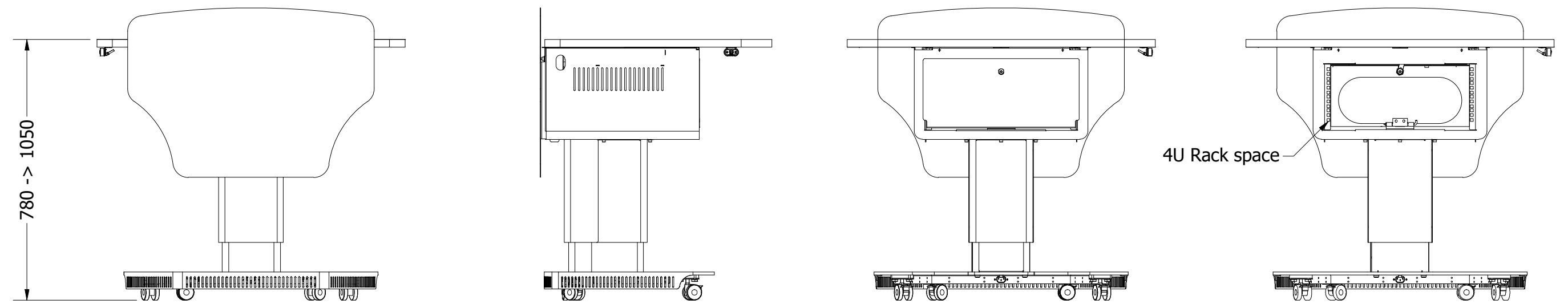
D D



Worktop options



C C



B B

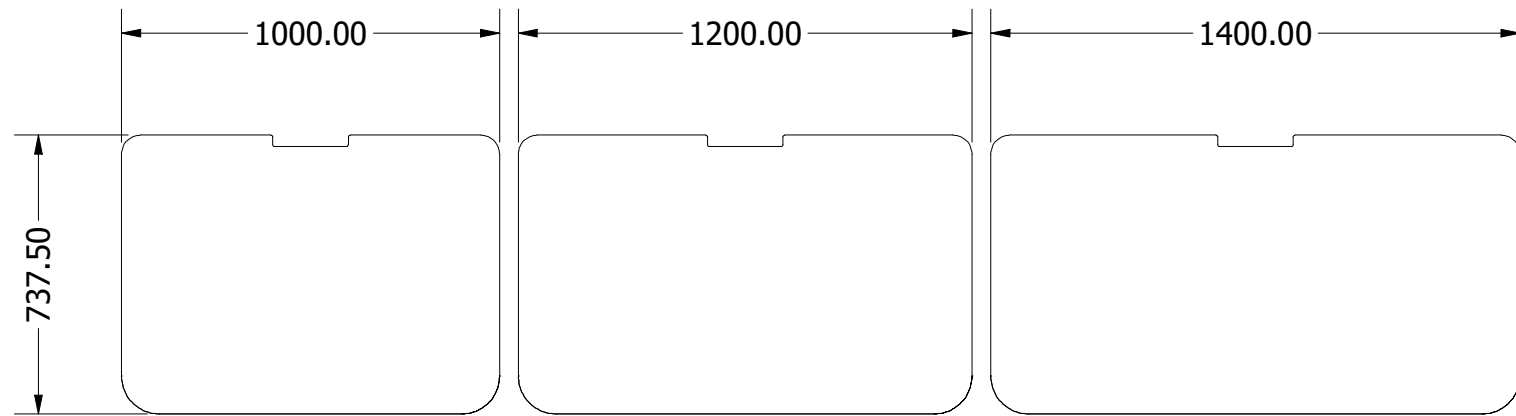
A A

				Notes: General Tolerance ± 0.2 Angular Tolerance ± 0.5 Hole Position ± 0.2 Unless otherwise stated all dimensions are in millimetres Remove all sharp edges to BS308: 1984 Parts 1,2 and 3.	DO NOT SCALE IF IN DOUBT ASK	Material: -		Drawing Title: VariHite Lectern 4U
						Finish: -		Drawing No. -
-	-	-	-			Drawn: S.Hack	Approved: -	
A	Issued for manufacture	29/02/24	S.Hack			Checked: -	Scale: 1 / 14	
Rev	Description	Date	Name					

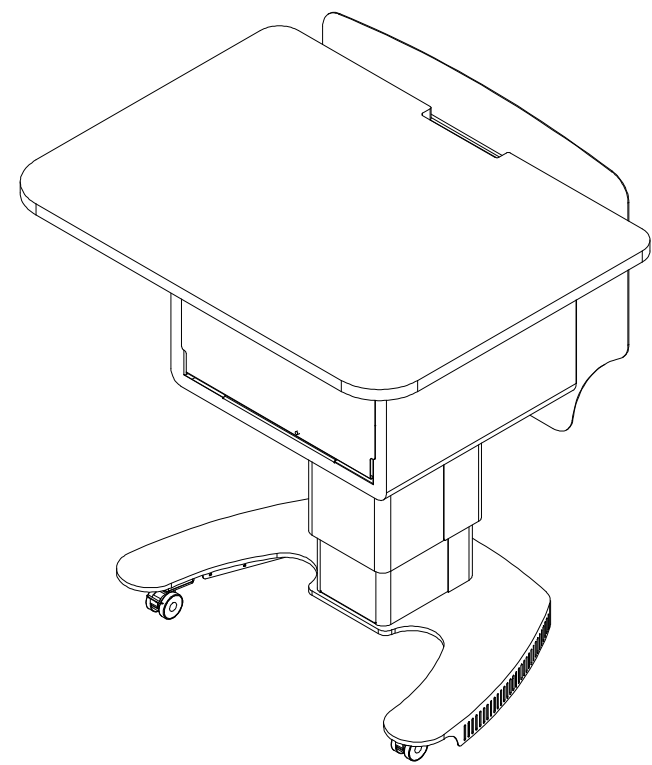
6 5 4 3 2 1

6 5 4 3 2 1

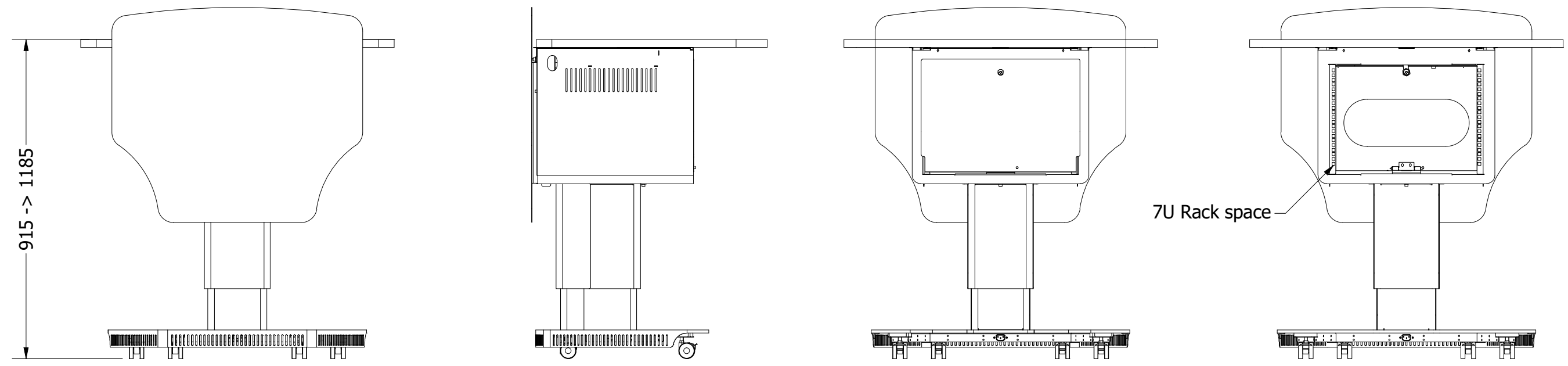
D D



Worktop options



C C



B B

A A

				Notes: General Tolerance ± 0.2 Angular Tolerance ± 0.5 Hole Position ± 0.2 Unless otherwise stated all dimensions are in millimetres Remove all sharp edges to BS308: 1984 Parts 1,2 and 3.	DO NOT SCALE IF IN DOUBT ASK	Material: -		Drawing Title: VariHite Lectern 7U
						Finish: -		
						Drawn: S.Hack	Approved: -	Drawing No.: -
						Checked: -	Scale: 1 / 14	Sheet 2 of 2

6 5 4 3 2 1

