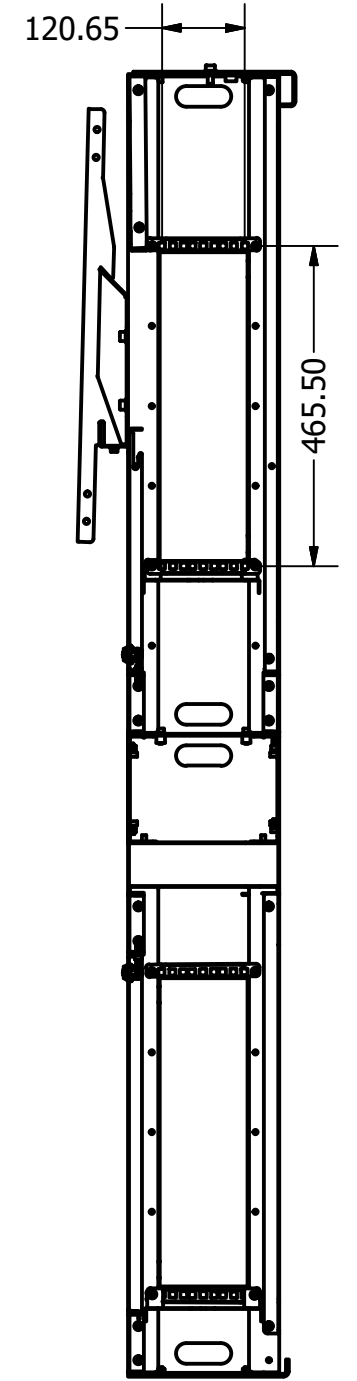
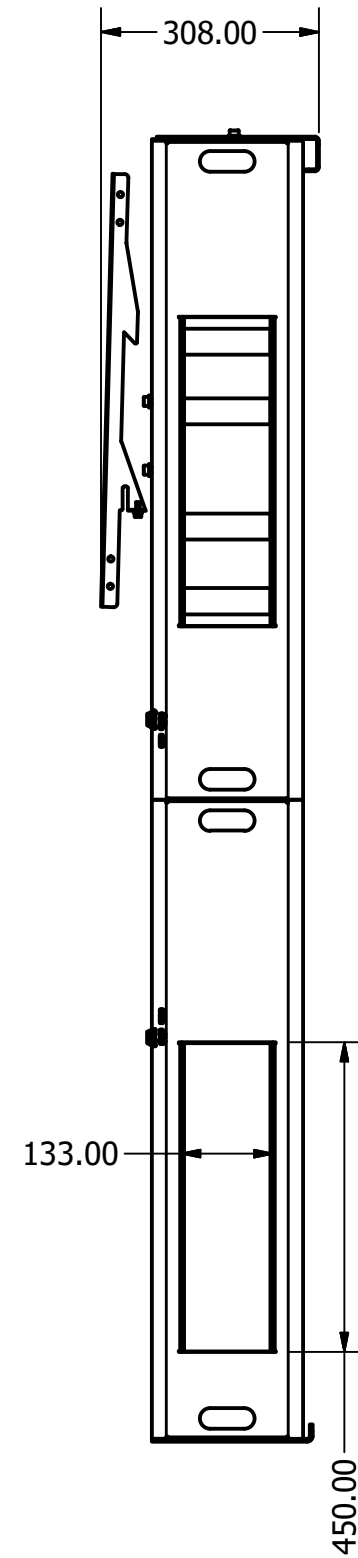
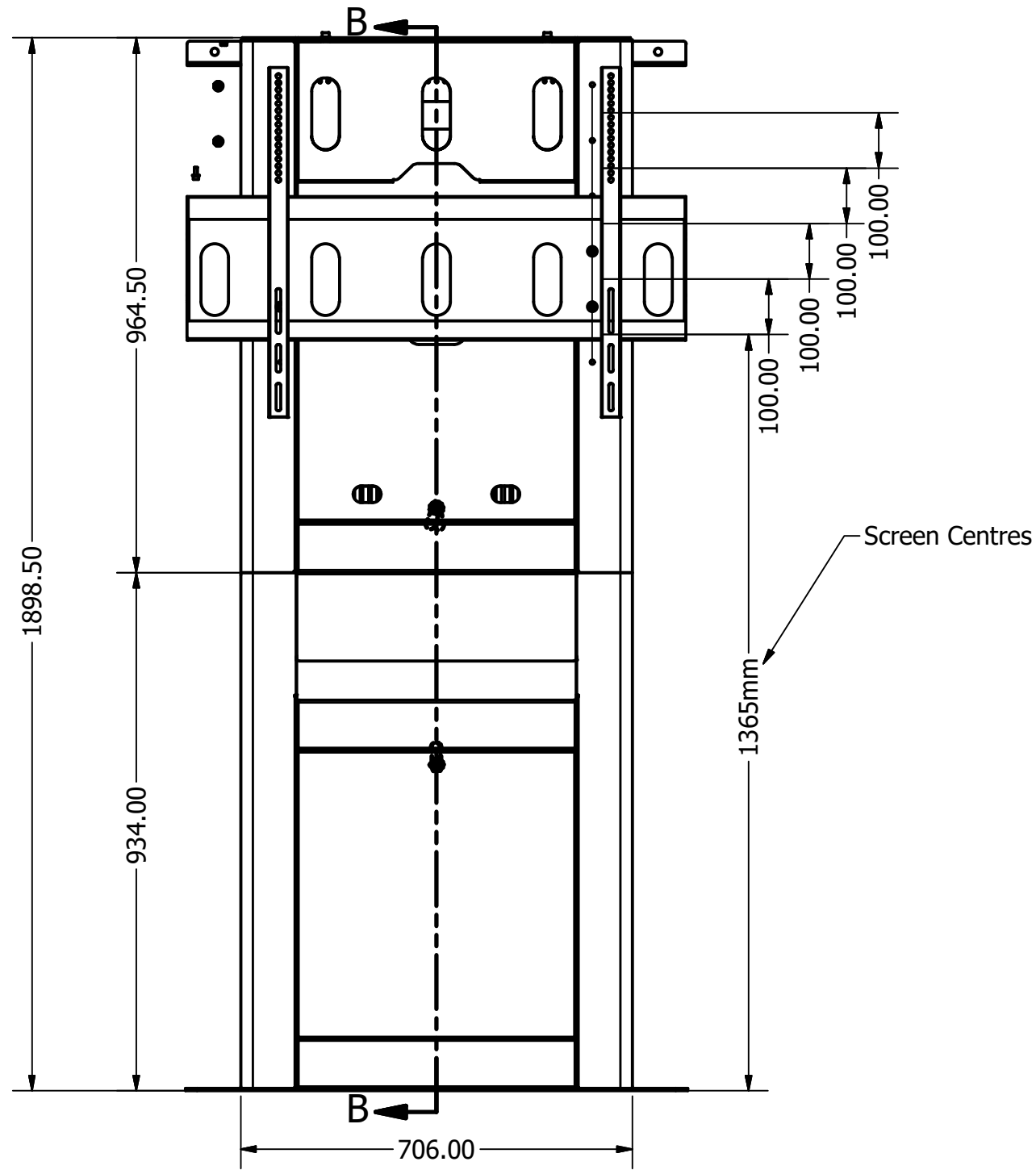


Totem AV Stand - Floor to wall

SECTION B-B SCALE 1/11



Rev	Description	Date
A	Issued for manufacture	10/11/17

Notes:
General Tolerance ± 0.2
Angular Tolerance ± 0.5
Hole Position ± 0.2
Unless otherwise stated all dimensions are in millimetres
Remove all sharp edges to BS308: 1984 Parts 1, 2 and 3.

DO NOT SCALE IF IN DOUBT ASK

THIS DRAWING IS THE PROPERTY OF PERFORMANCE ENCLOSURES LIMITED AND THE INFORMATION CONTAINED HEREIN IS CONFIDENTIAL. THE DRAWING MAY NOT BE COPIED, USED OR DISCLOSED EXCEPT WITH WRITTEN PERMISSION OF AND IN THE MANNER PERMITTED BY THE PROPRIETORS.

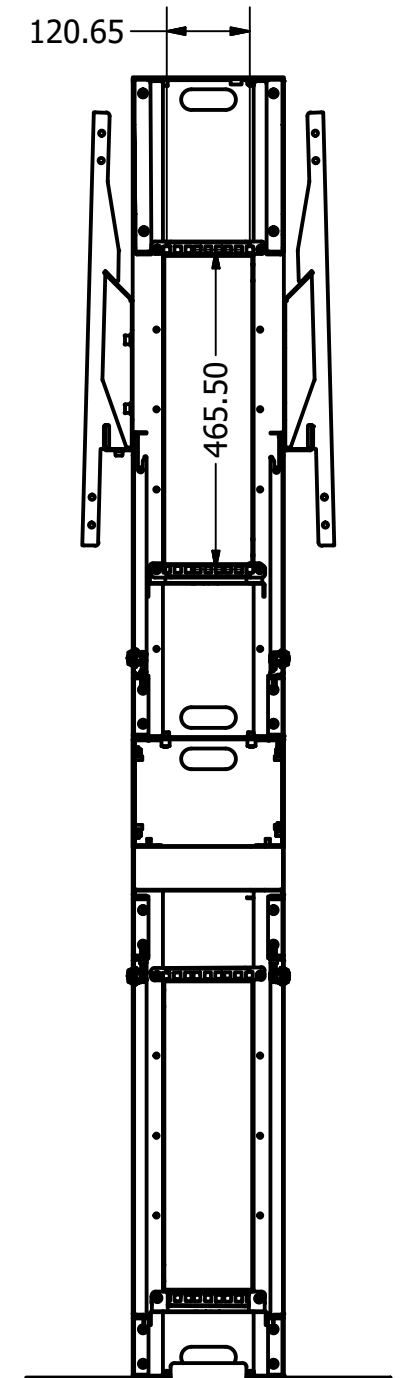
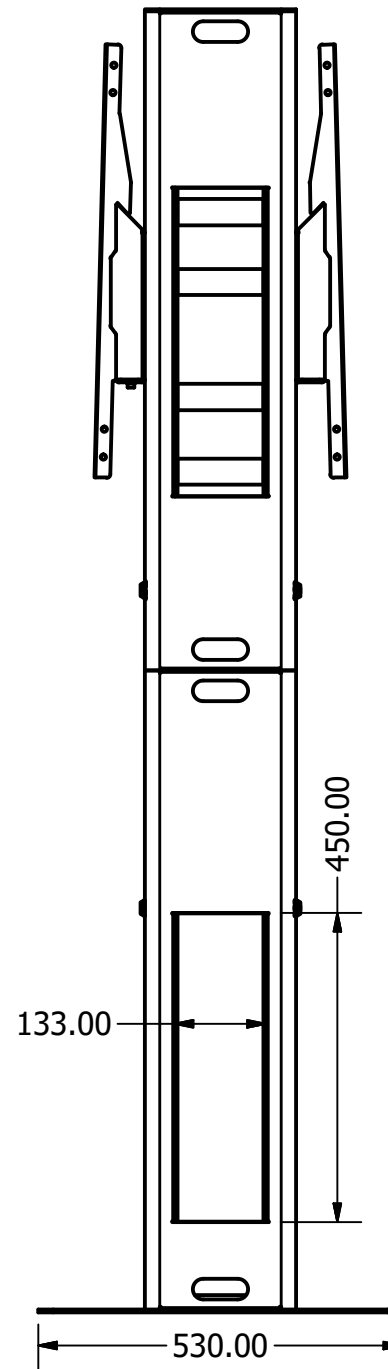
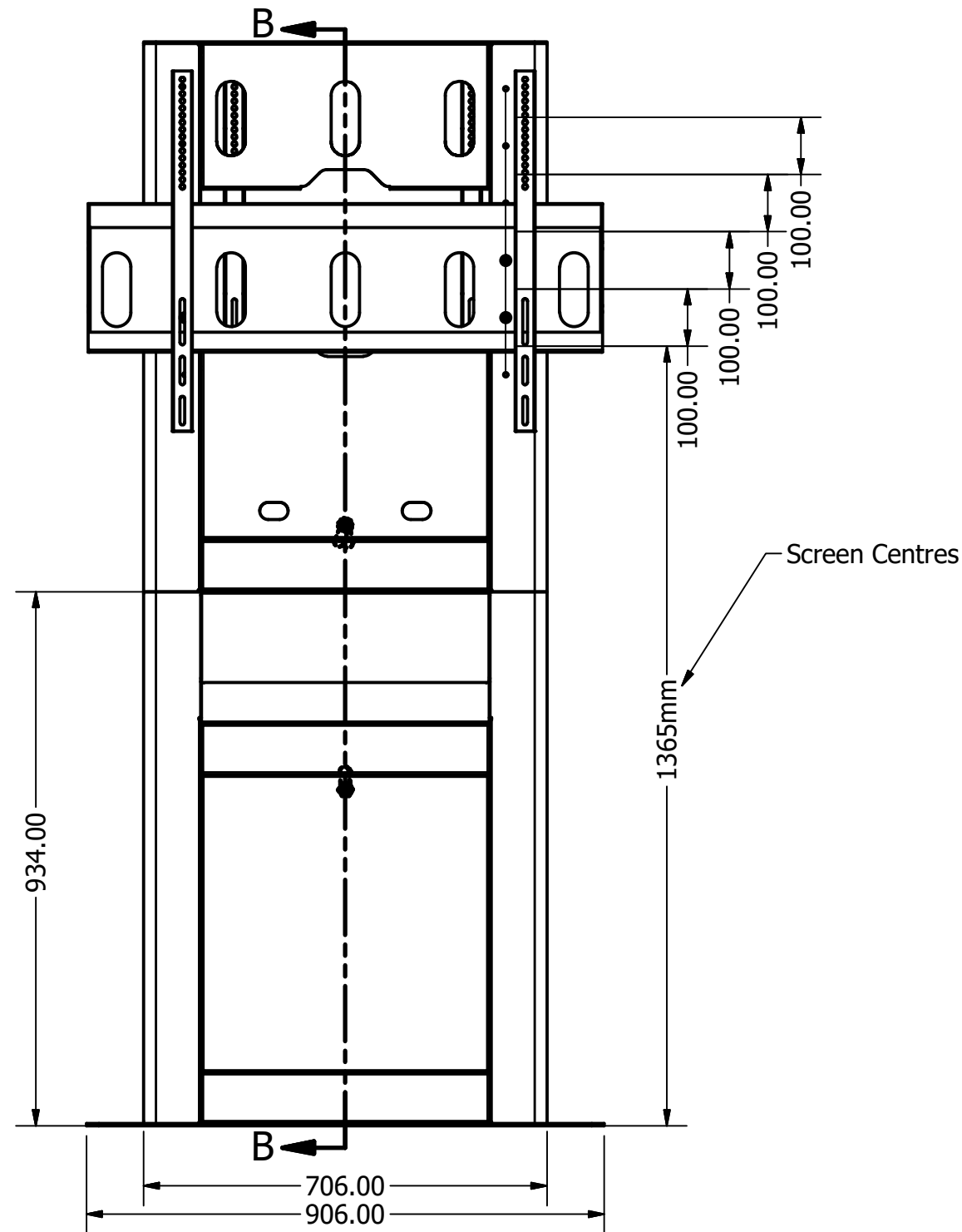
Material:	-
Finish:	-
Drawn:	N.Allen
Checked:	-
Approved:	-
Scale:	1 : 10



Drawing Title:	Totem 2 Dimensions
Drawing No.:	-
Sheet	1 of 1

Totem AV Stand - Back to back

SECTION B-B SCALE 1/11



Rev	Description	Date
A	Issued for manufacture	08/12/17

Notes:
 General Tolerance ± 0.2
 Angular Tolerance ± 0.5
 Hole Position ± 0.2
 Unless otherwise stated all dimensions are in millimetres
 Remove all sharp edges to BS308: 1984 Parts 1, 2 and 3.

DO NOT SCALE IF IN DOUBT ASK

THIS DRAWING IS THE PROPERTY OF PERFORMANCE ENCLOSURES LIMITED AND THE INFORMATION CONTAINED HEREIN IS CONFIDENTIAL. THE DRAWING MAY NOT BE COPIED, USED OR DISCLOSED EXCEPT WITH WRITTEN PERMISSION OF AND IN THE MANNER PERMITTED BY THE PROPRIETORS.

Material:	-
Finish:	-
Drawn:	N.Allen
Checked:	-
Approved:	-
Scale:	1 : 10



Drawing Title:	Totem 2 Dimensions Back to Back
Drawing No.:	-
Sheet	1 of 1