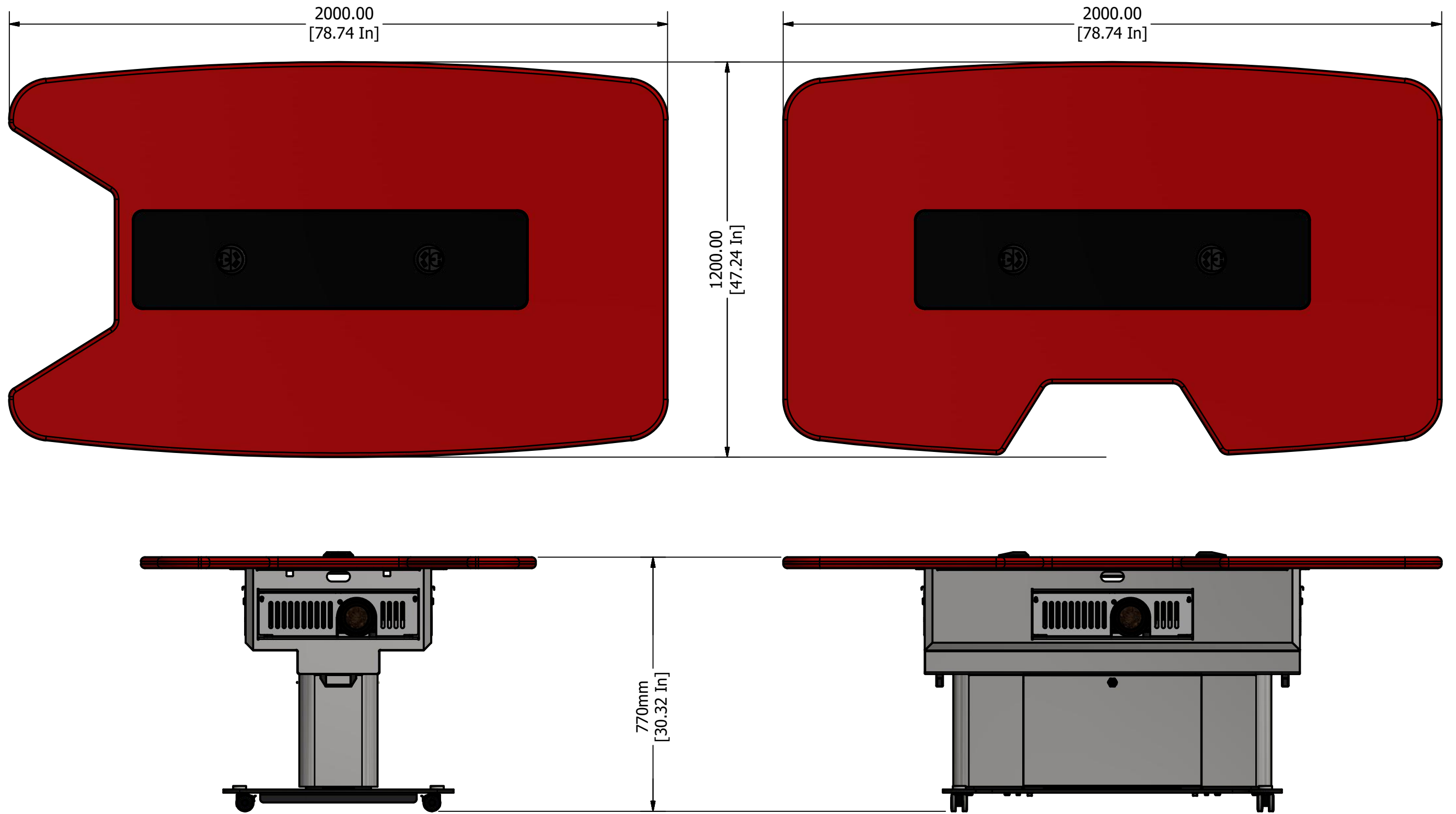


WorksZone Projection Table (Fixed Height)

28Series

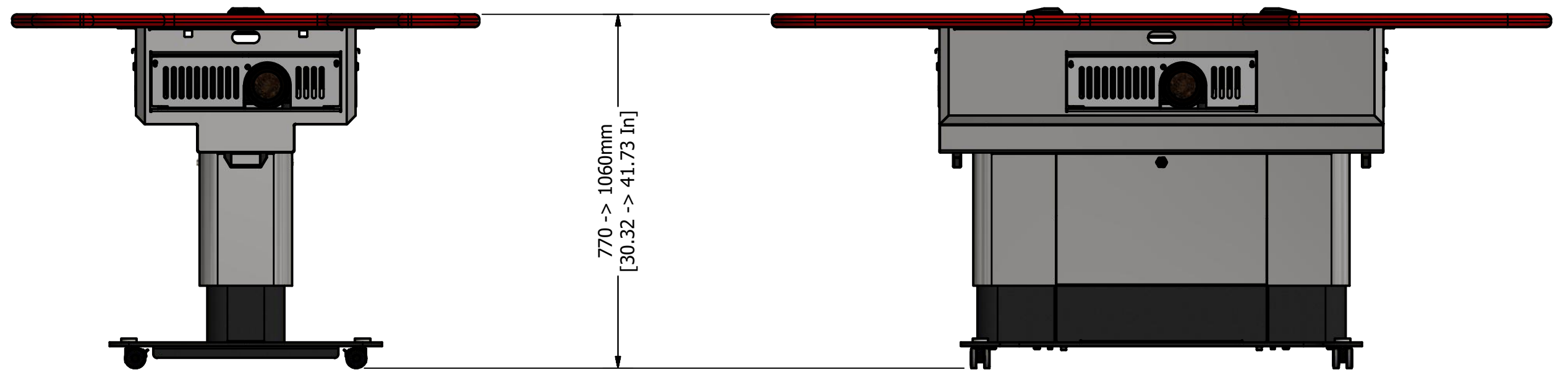
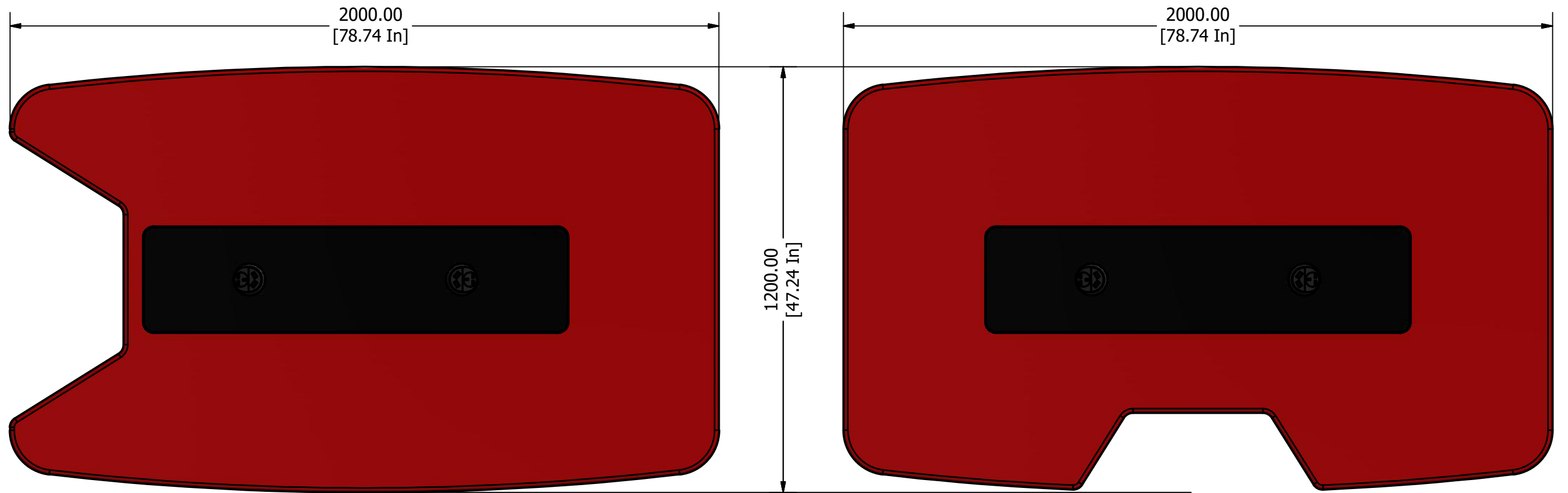


NB: All dimensions are +/- 5mm

			Notes: General Tolerance ± 0.2 Angular Tolerance ± 0.5 Hole Position ± 0.2 Unless otherwise stated all dimensions are in millimetres Remove all sharp edges to BS308: 1984 Parts 1, 2 and 3.	DO NOT SCALE IF IN DOUBT ASK	Material: -		Drawing Title: WorksZone Projection Table	
				THIS DRAWING IS THE PROPERTY OF PERFORMANCE ENCLOSURES LIMITED AND THE INFORMATION CONTAINED HEREIN IS CONFIDENTIAL. THE DRAWING MAY NOT BE COPIED, USED OR DISCLOSED EXCEPT WITH WRITTEN PERMISSION OF AND IN THE MANNER PERMITTED BY THE PROPRIETORS.	Finish: -		Drawing No.: -	
A	Issued for manufacture	10/03/17			Drawn: S.Hack	Approved: -		Sheet 1 of 1
Rev	Description	Date			Checked: -	Scale: 1 : 12		

WorksZone VH Projection Table (VariHite Package)

28Series



NB: All dimensions are +/- 5mm

Rev	Description	Date
A	Issued for manufacture	10/03/17

Notes:
 General Tolerance ± 0.2
 Angular Tolerance ± 0.5
 Hole Position ± 0.2
 Unless otherwise stated all dimensions are in millimetres
 Remove all sharp edges to BS308: 1984 Parts 1, 2 and 3.

DO NOT SCALE IF IN DOUBT ASK

THIS DRAWING IS THE PROPERTY OF PERFORMANCE ENCLOSURES LIMITED AND THE INFORMATION CONTAINED HEREIN IS CONFIDENTIAL. THE DRAWING MAY NOT BE COPIED, USED OR DISCLOSED EXCEPT WITH WRITTEN PERMISSION OF AND IN THE MANNER PERMITTED BY THE PROPRIETORS.

Material:	-
Finish:	-
Drawn:	S.Hack
Checked:	-
Approved:	-
Scale:	1 : 12



Drawing Title:	WorksZone VH Projection Table
Drawing No.:	-
Sheet	1 of 1