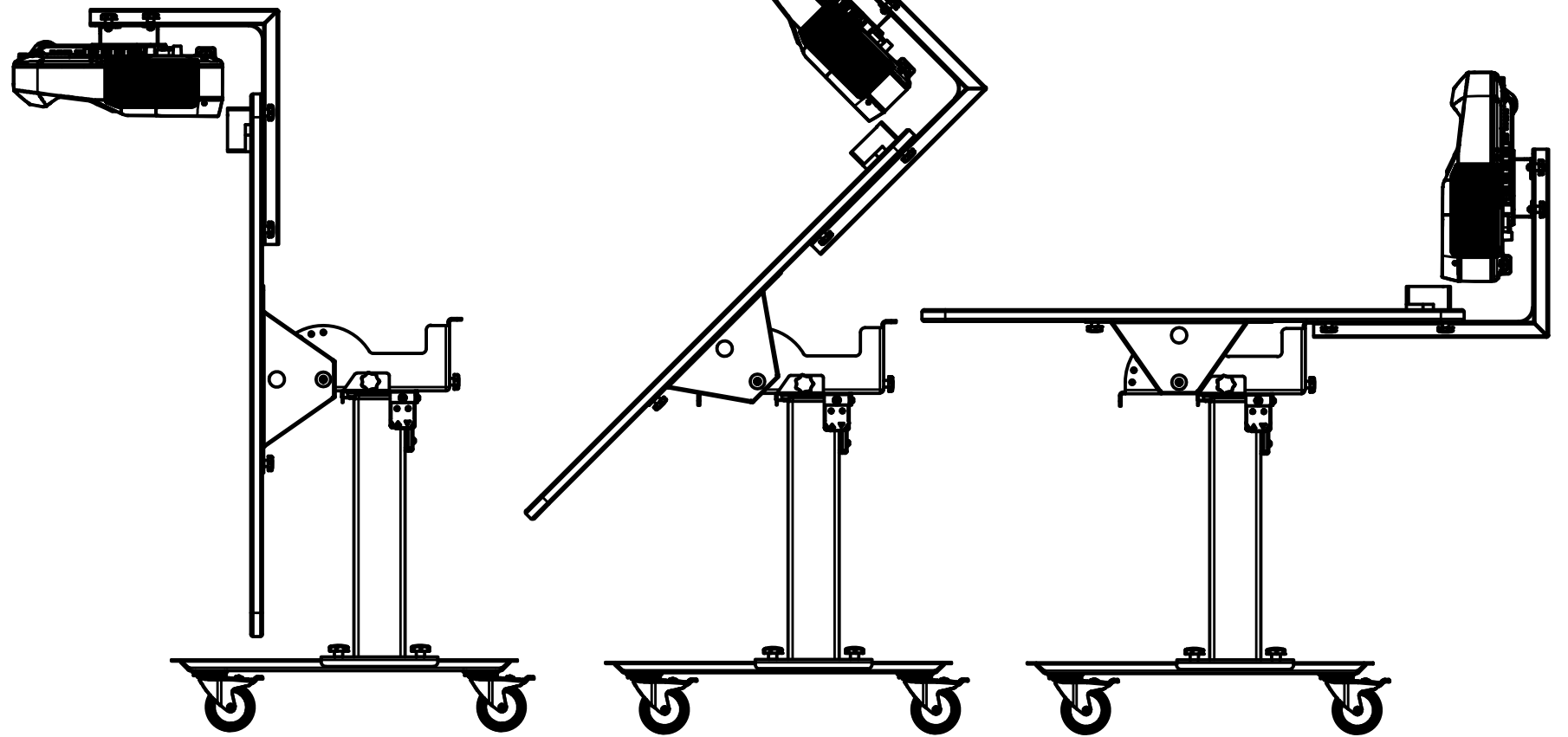
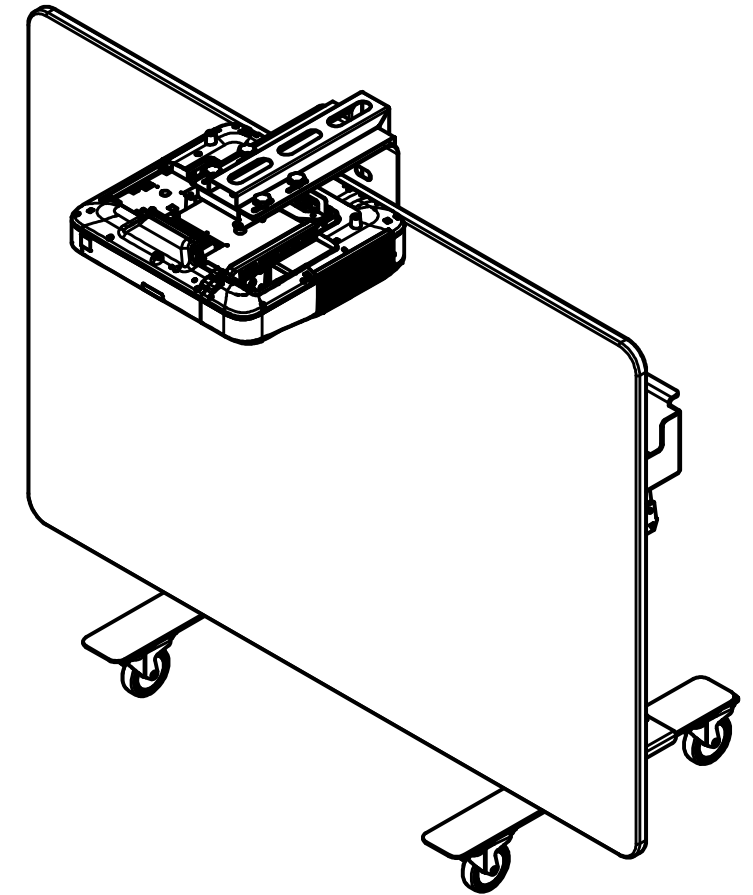
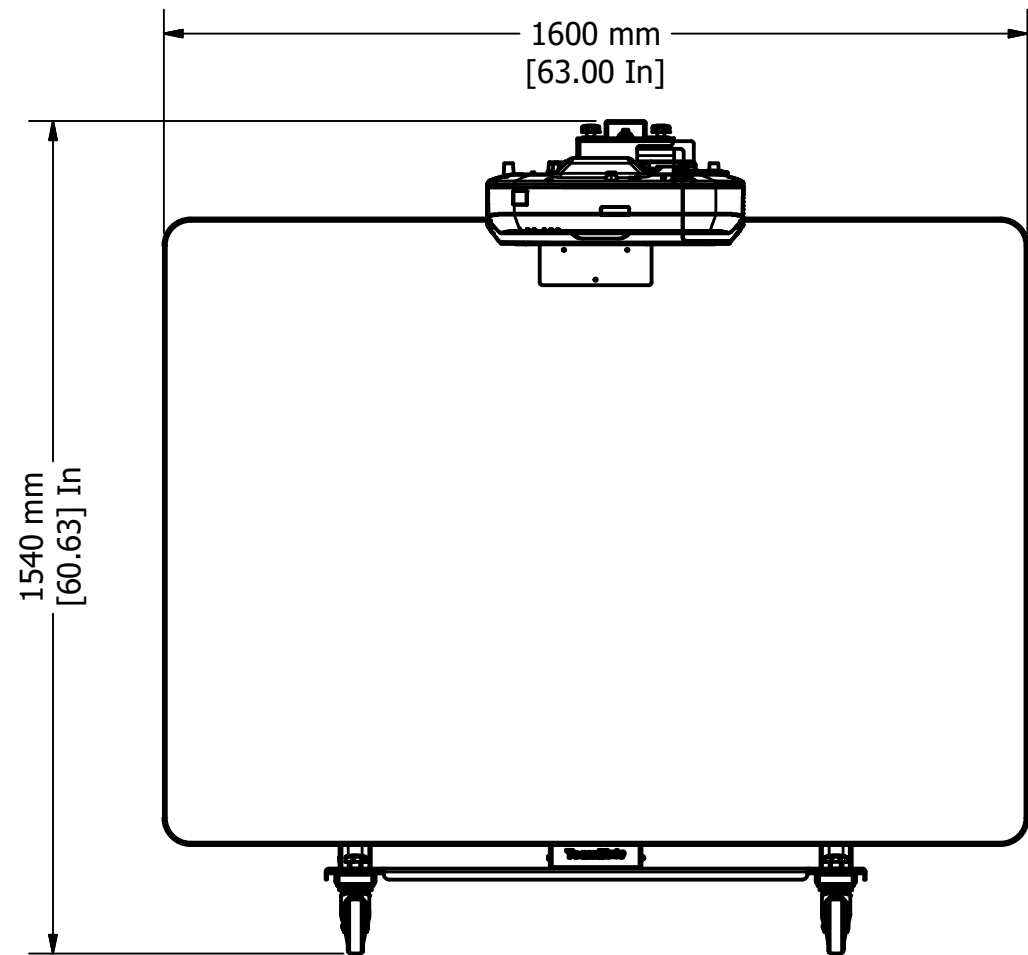
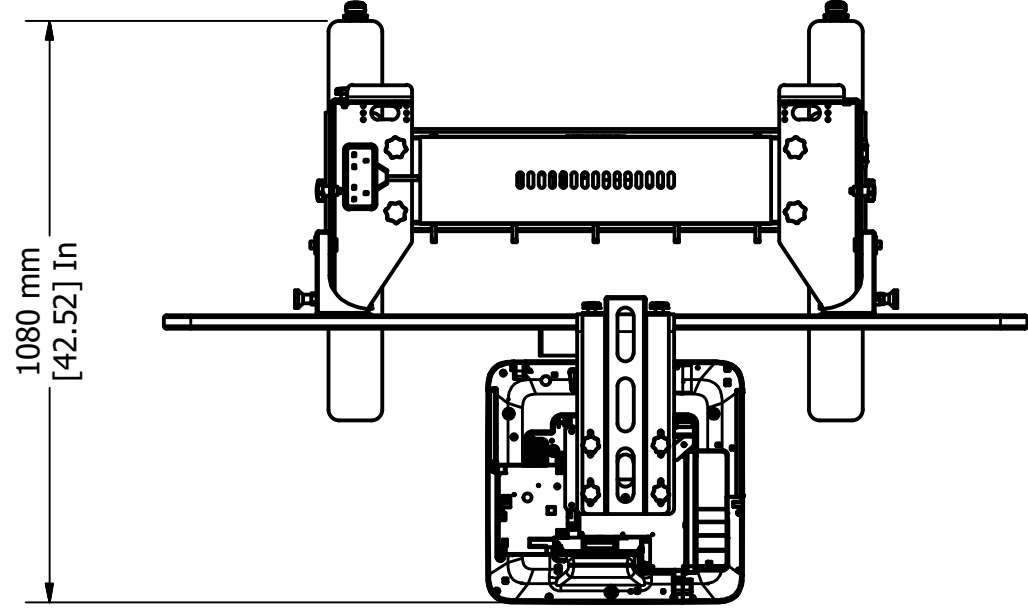


WorksZone Interactive 2

WZINTER2



NB: All dimensions are +/- 5mm

Rev	Description	Date
C	Changed to HD Worktop	02/03/17
B	Added page 2	21/07/16
A	Issued for manufacture	20/11/15

Notes:
 General Tolerance ± 0.2
 Angular Tolerance ± 0.5
 Hole Position ± 0.2
 Unless otherwise stated all dimensions are in millimetres
 Remove all sharp edges to BS308: 1984 Parts 1,2 and 3.

DO NOT SCALE IF IN DOUBT ASK

THIS DRAWING IS THE PROPERTY OF PERFORMANCE ENCLOSURES LIMITED AND THE INFORMATION CONTAINED HEREIN IS CONFIDENTIAL. THE DRAWING MAY NOT BE COPIED, USED OR DISCLOSED EXCEPT WITH WRITTEN PERMISSION OF AND IN THE MANNER PERMITTED BY THE PROPRIETORS.

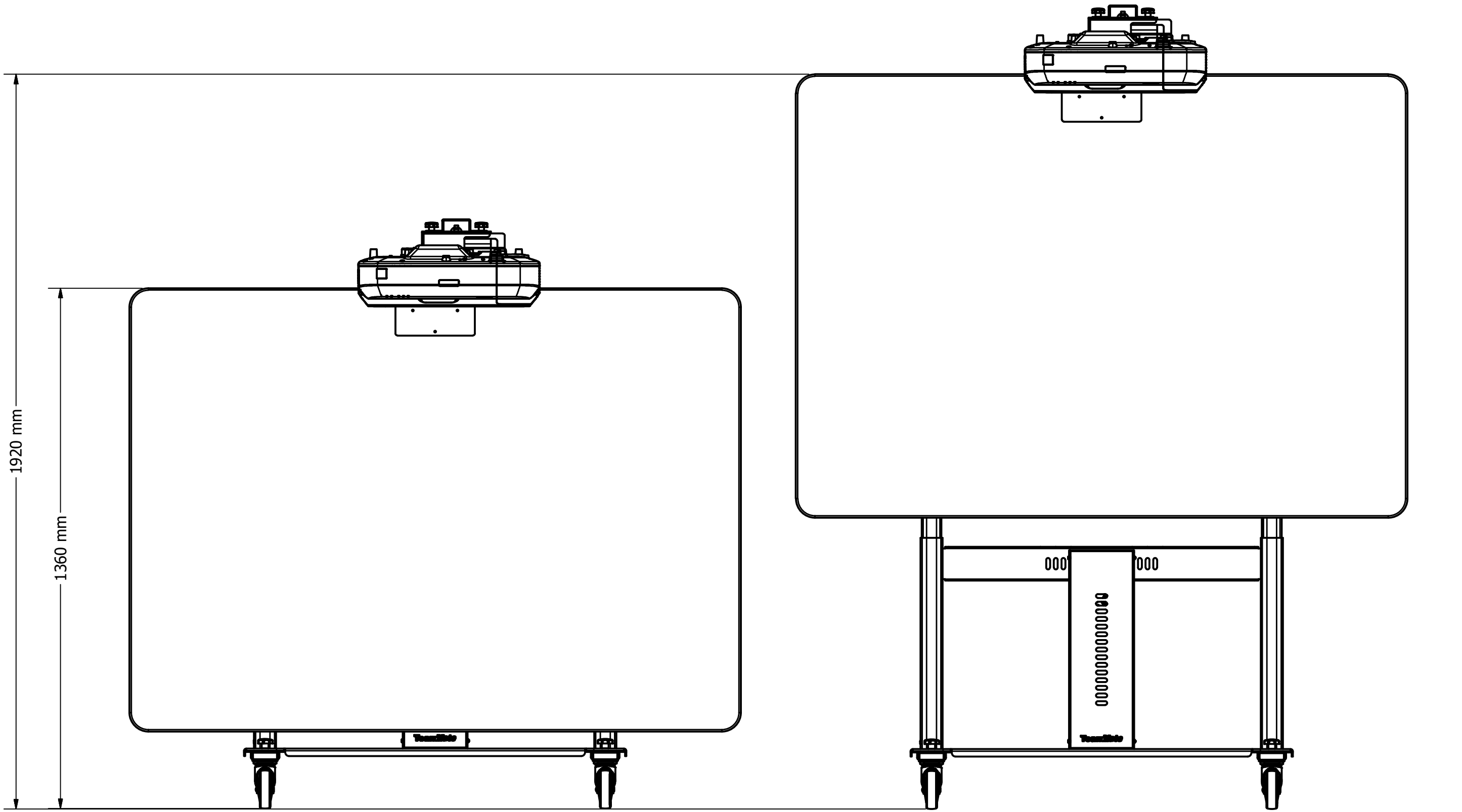
Material:	
Finish:	
Drawn: S.Hack	Approved:
Checked:	Scale:



Drawing Title: WorksZone Interactive 2	
Drawing No.:	
Sheet 1 of 2	

WorksZone Interactive 2

WZINTER2



NB: All dimensions are +/- 5mm

Rev	Description	Date
C	Changed to HD Worktop	02/03/17
B	Added page 2	21/07/16
A	Issued for manufacture	20/11/15

Notes:
 General Tolerance ± 0.2
 Angular Tolerance ± 0.5
 Hole Position ± 0.2
 Unless otherwise stated all dimensions are in millimetres
 Remove all sharp edges to BS308: 1984 Parts 1, 2 and 3.

DO NOT SCALE IF IN DOUBT ASK

THIS DRAWING IS THE PROPERTY OF PERFORMANCE ENCLOSURES LIMITED AND THE INFORMATION CONTAINED HEREIN IS CONFIDENTIAL. THE DRAWING MAY NOT BE COPIED, USED OR DISCLOSED EXCEPT WITH WRITTEN PERMISSION OF AND IN THE MANNER PERMITTED BY THE PROPRIETORS.

Material:	
Finish:	
Drawn: S.Hack	Approved:
Checked:	Scale:



Drawing Title: WorksZone Interactive 2
Drawing No.:
Sheet 2 of 2