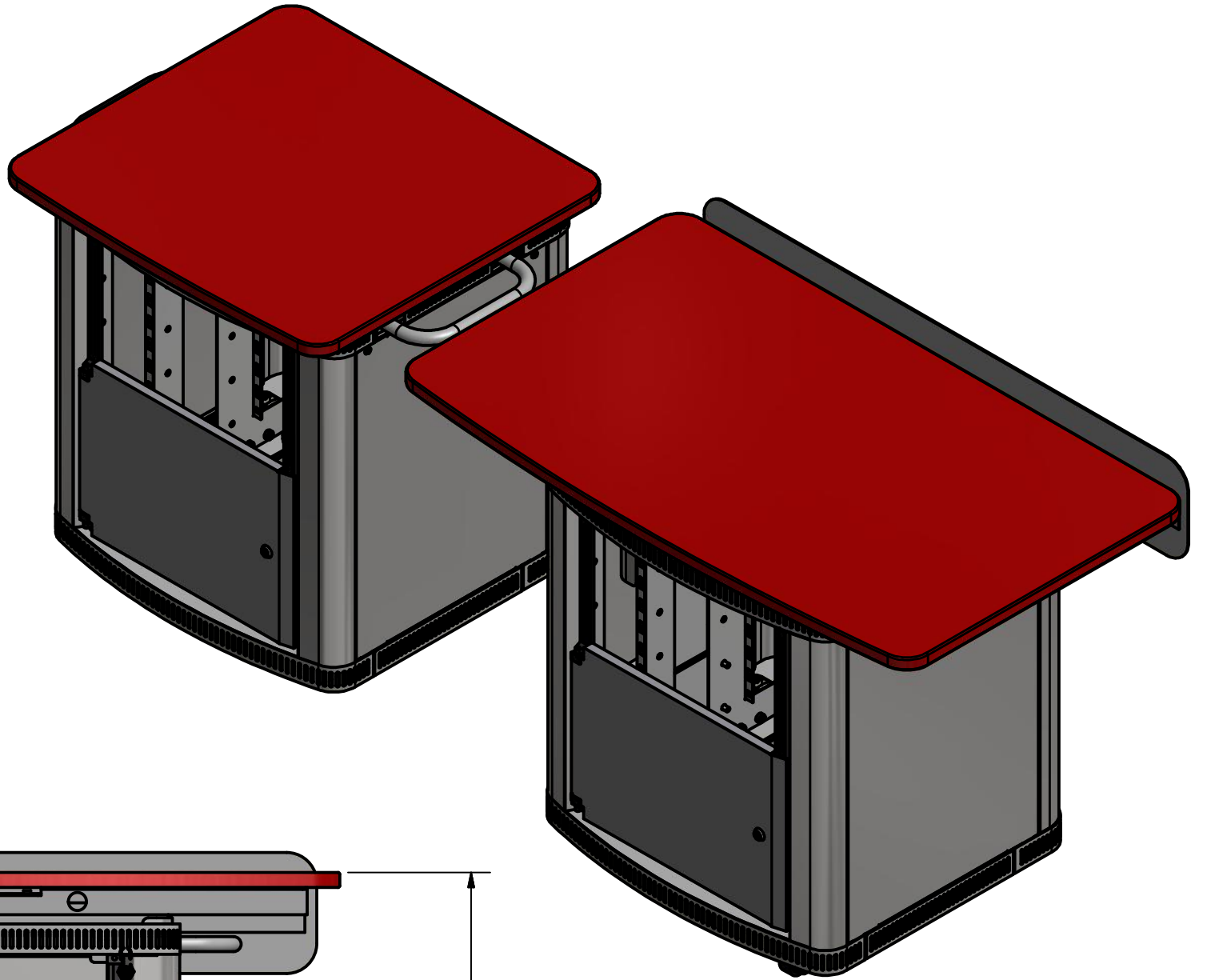
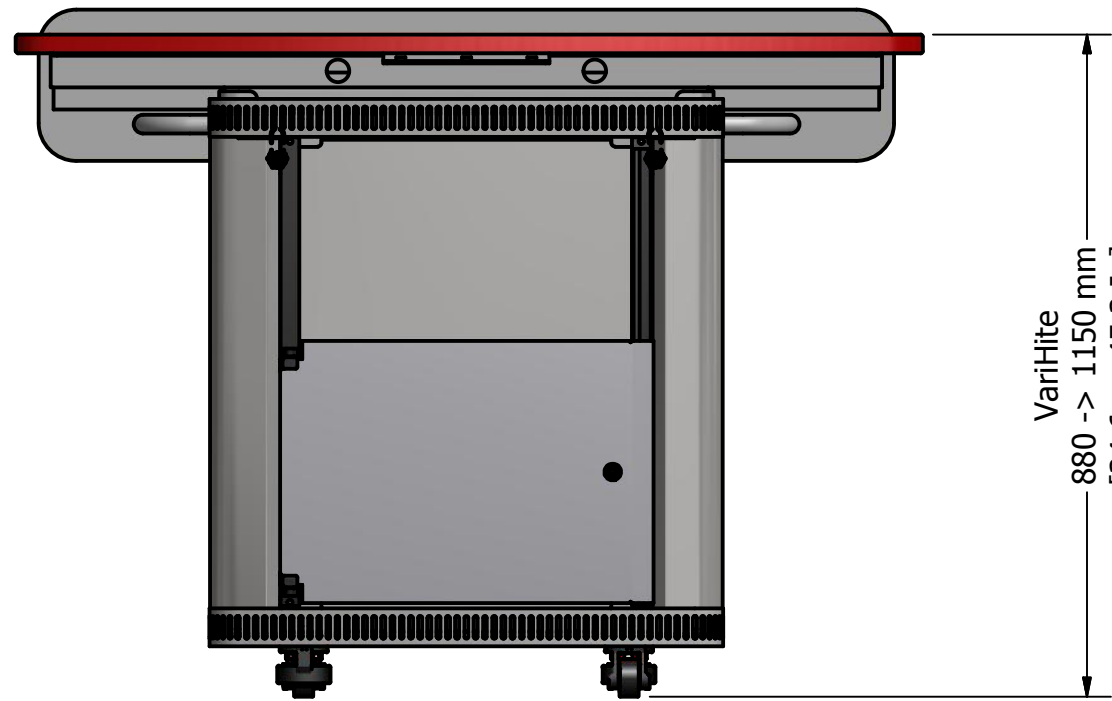
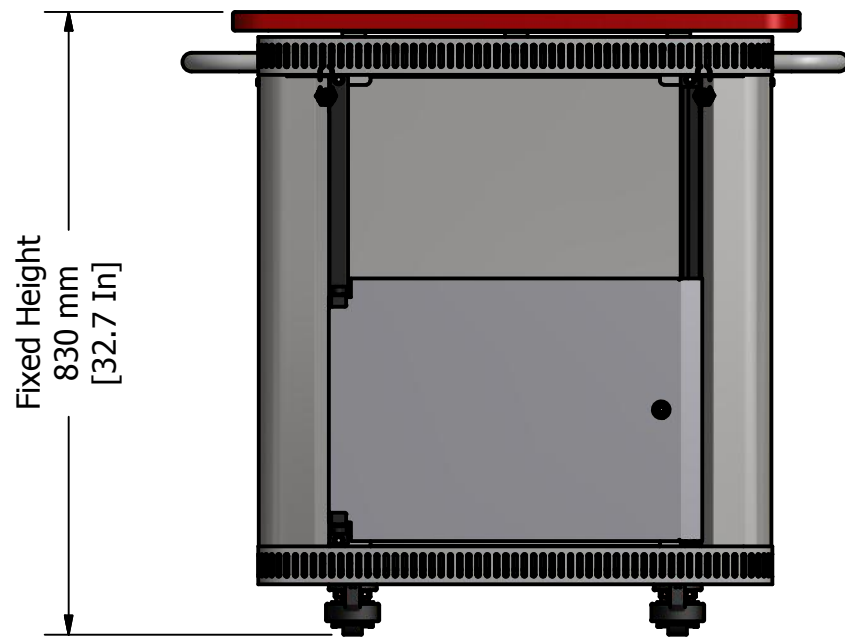


# Educator Series 2 - Single Rack

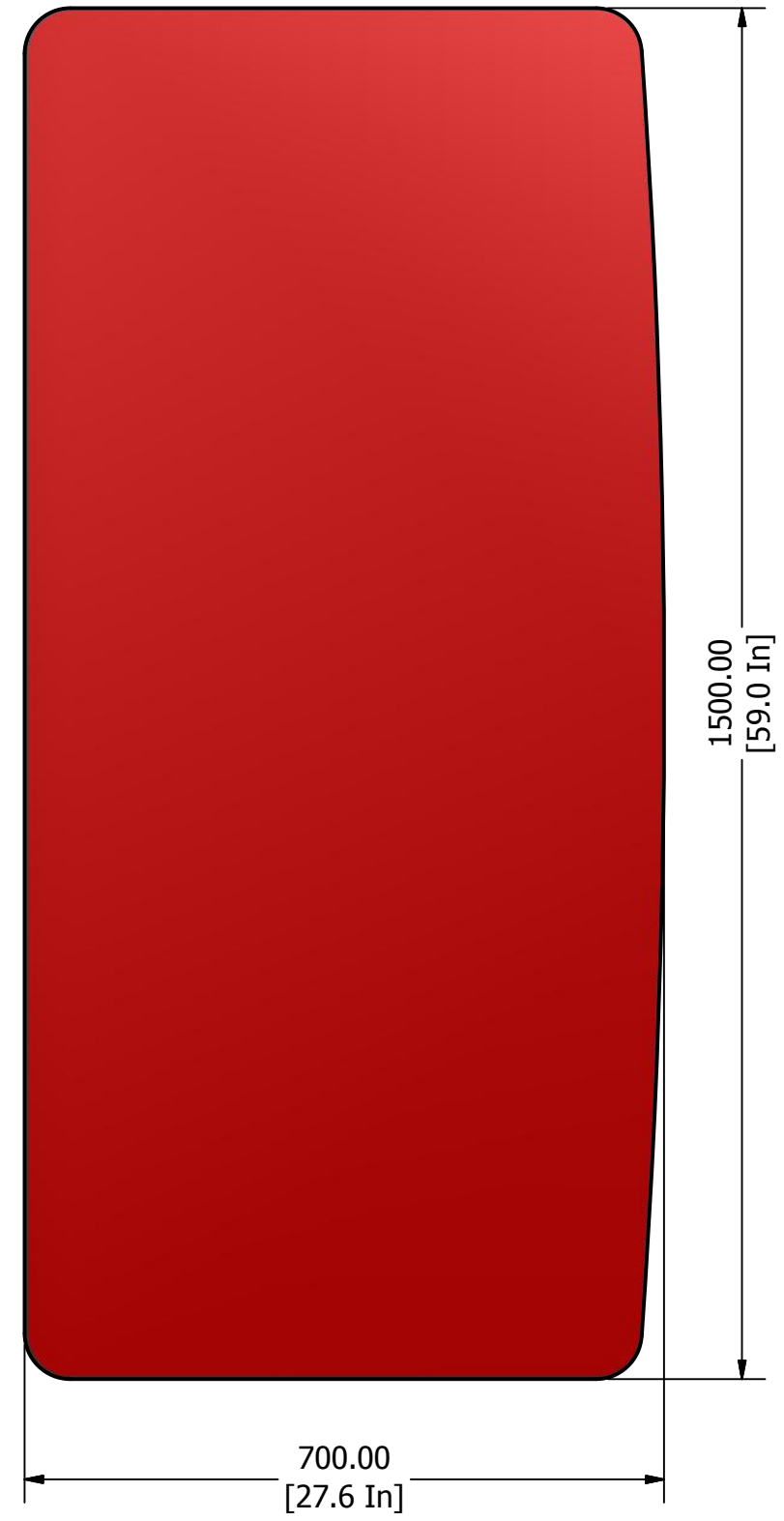
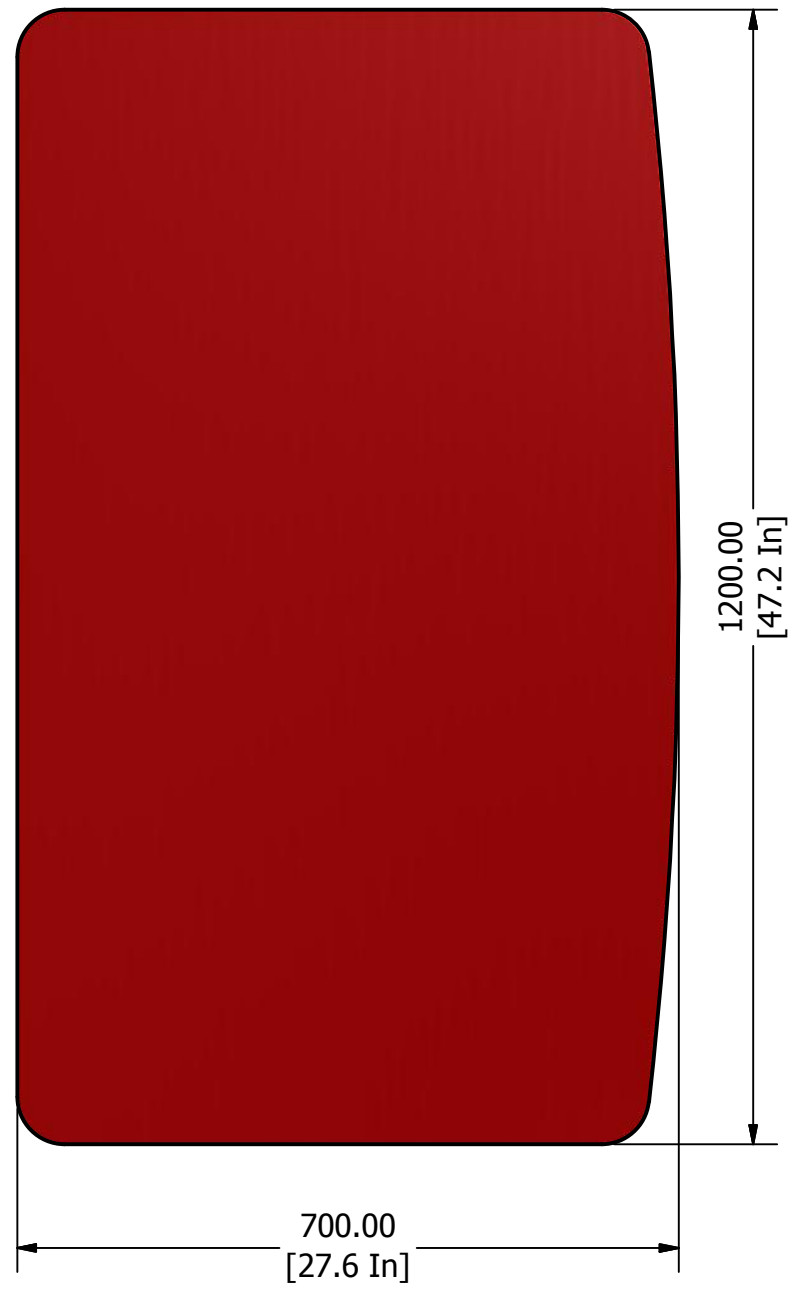
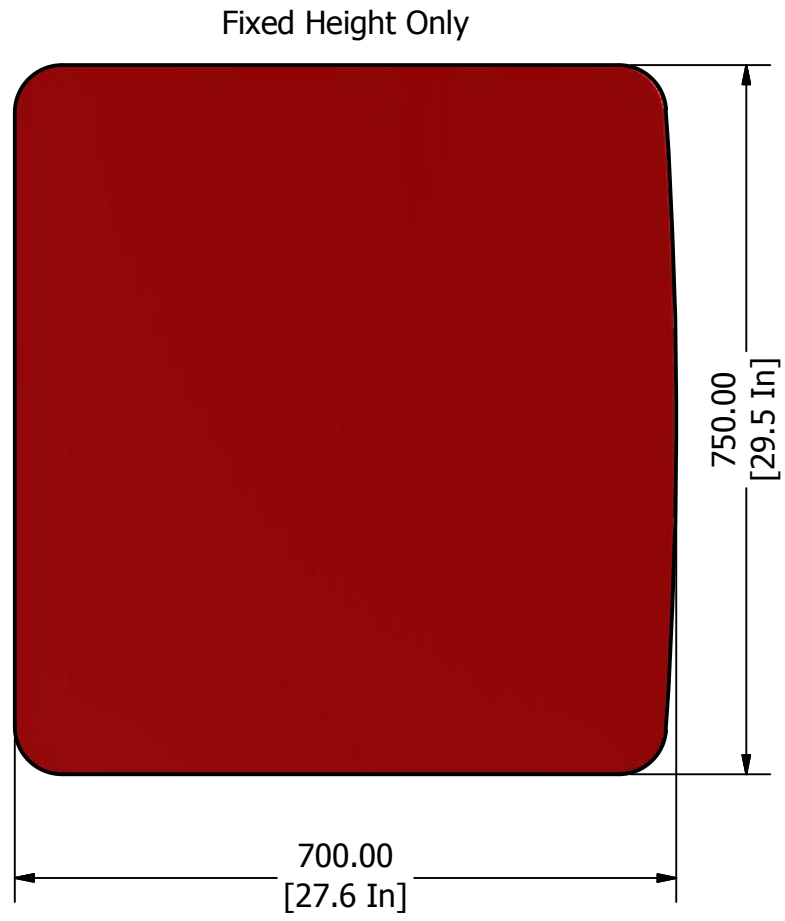
## EDSERIES2



NB: All dimensions are +/- 5mm

			Notes: General Tolerance $\pm 0.2$ Angular Tolerance $\pm 0.5$ Hole Position $\pm 0.2$ Unless otherwise stated all dimensions are in millimetres Remove all sharp edges to BS308: 1984 Parts 1,2 and 3.	DO NOT SCALE IF IN DOUBT ASK	Material:		Drawing Title: Educator Series 2 Single Rack
				THIS DRAWING IS THE PROPERTY OF PERFORMANCE ENCLOSURES LIMITED AND THE INFORMATION CONTAINED HEREIN IS CONFIDENTIAL. THE DRAWING MAY NOT BE COPIED, USED OR DISCLOSED EXCEPT WITH WRITTEN PERMISSION OF AND IN THE MANNER PERMITTED BY THE PROPRIETORS.	Finish:		Drawing No.:
A	Issued for manufacture	22/10/14			Drawn: S.Hack	Approved:	
Rev	Description	Date			Checked:	Scale:	Sheet 1 of 2

Educator Series 2 - Single Racks  
EDSERIES2



NB: All dimensions are +/- 5mm

			Notes: General Tolerance $\pm 0.2$ Angular Tolerance $\pm 0.5$ Hole Position $\pm 0.2$ Unless otherwise stated all dimensions are in millimetres Remove all sharp edges to BS308: 1984 Parts 1,2 and 3.	DO NOT SCALE IF IN DOUBT ASK	Material:		Drawing Title: Educator Series 2 Single Racks
				THIS DRAWING IS THE PROPERTY OF PERFORMANCE ENCLOSURES LIMITED AND THE INFORMATION CONTAINED HEREIN IS CONFIDENTIAL. THE DRAWING MAY NOT BE COPIED, USED OR DISCLOSED EXCEPT WITH WRITTEN PERMISSION OF AND IN THE MANNER PERMITTED BY THE PROPRIETORS.	Finish:		Drawing No.
A	Issued for manufacture	22/10/14			Drawn: S.Hack	Approved:	Sheet 2 of 2
Rev	Description	Date			Checked:	Scale:	